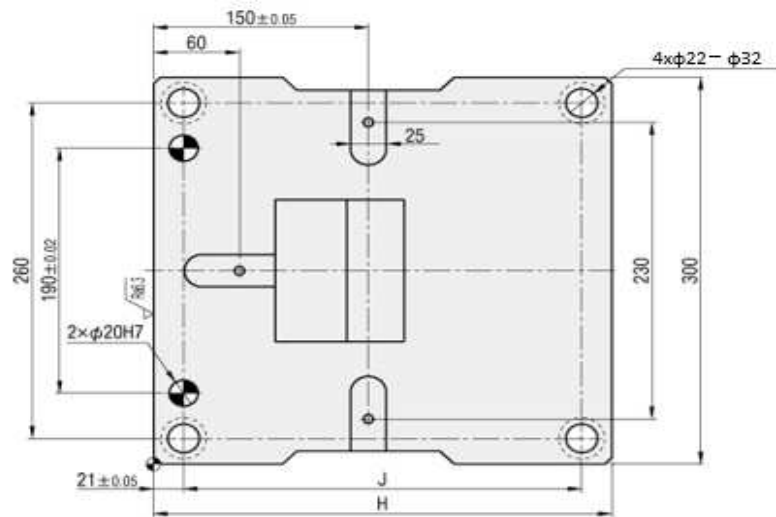
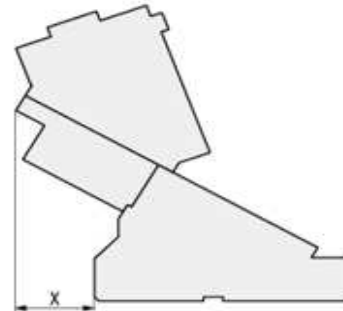


# CAMriSE Series Cam for Pierce/Trim/Wide Flange - Long Stroke - CB-L300

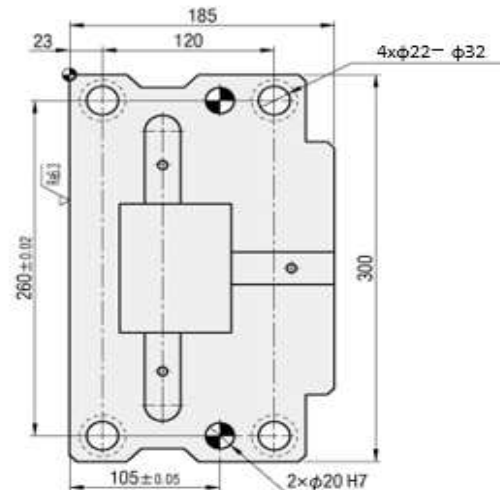
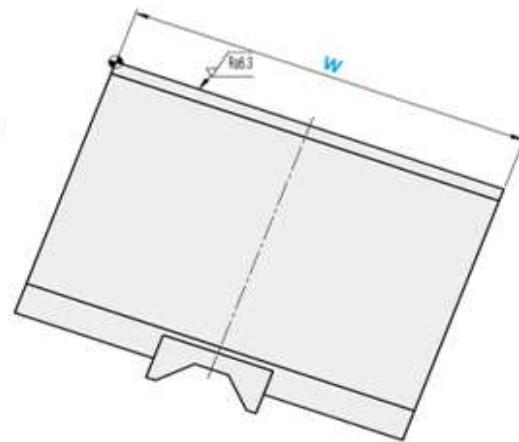
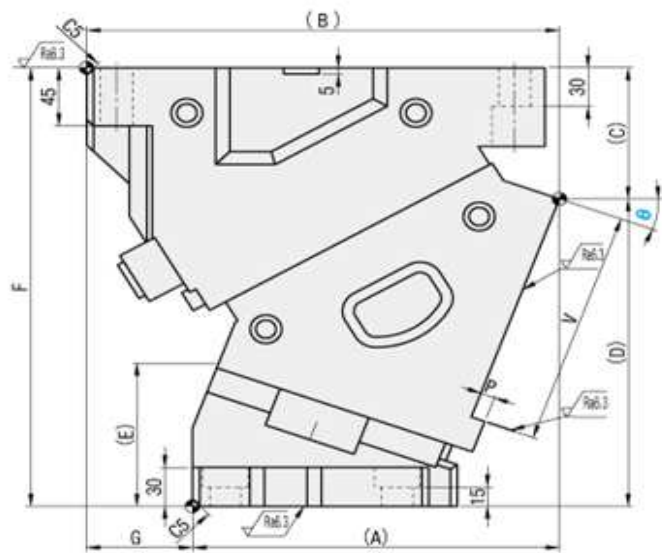
## Outline drawing/Product specifications



Rear Extraction Space



When installing in the mold, ensure sufficient rear extraction space.



W	θ	(A)	(B)	(C)	(D)	(E)	F	G	H	J	V	P	X (ISO/GK)
	00	180.00	303.00	68.00	272.00	71.0		123	285	243			46.9
	05	199.13	312.13	77.72	262.28	77.7		113	295	253			55.7
	10	218.87	319.87	86.26	253.74	87.0		101	305	263			63.0
	15	238.21	327.21	94.59	245.41	97.8		89	315	273			70.7
	20	256.18	330.18	101.67	238.33	111.0		74	320	278			82.9
	25	272.82	332.82	108.46	231.54	125.4		60	325	283			98.6
	30	289.13	334.13	115.95	224.05	140.0		45					113.6
	35	303.16	332.16	127.11	212.89	151.5		29	330	288		10	128.5
	40	325.92	326.92	138.91	201.09	162.8		1					143.1
	45	336.46	317.46	154.33	185.67	170.8		-19					158.4
	50	350.80	308.80	171.35	168.65	177.3		-42					169.2
	55	364.97	299.97	179.42	160.58	181.8		-65	325	283			184.3
	60	376.72	295.72	178.36	161.64	185.6		-81				23	187.1
	65	392.61	298.61	187.08	152.92	188.6		-94				32	181.2
	70	409.88	295.88	197.14	142.86	191.3		-114				40	178.1

Stroke S	Working Force kN		Coil Spring		Model	Gas Spring		Total weight Kg	Cam slider weight Kg	Tool mounting weight Kg	Model	W	θ
	Standard (1Million times)	Max. (300,000 times)	Initial load N (kgf)	Final load N (kgf)		Final load N (kgf)	Model						
35.4	274.4 (28.0)	356.7 (36.4)	1396 (142.5)	10996 (1122.0)	TJH63X229	22800 (2327)	GSV1500-63	152	64	42	CB-L	300	00
39.0													05
42.8													10
46.6													15
50.7													20
55.0													25
59.7													30
64.9													35
70.7													40
77.5													45
85.6													50
95.9													55
110.0													60
118.3													65
119.9	70												

Alteration	Code	Spec.
	K	Addition of positioning key (1 Hexagon socket head bolt M8x15 included) 
	GK	Spring type change Coil Spring / Gas Spring
	NGK	Without gas spring
	NF	No gas spring filled with nitrogen gas Applicable to only spring type GK