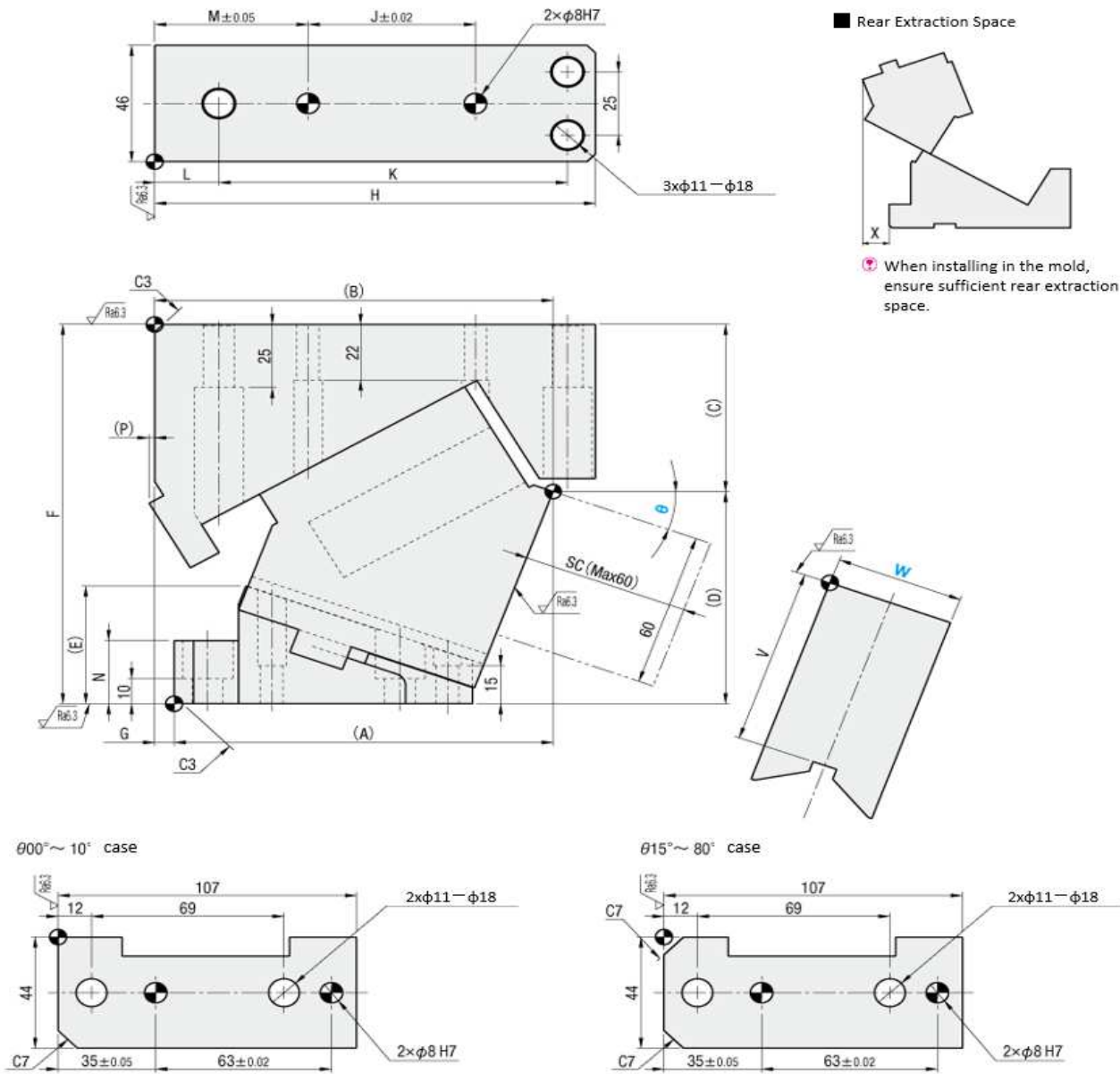


CAMRISE Series Compact Cam for Piercing - Short Stroke - CA-S46

Outline drawing/Product specifications



W	θ	(A)	(B)	(C)	(D)	(E)	F	G	H	J	K	L	M	N	(P)	V	X (ISO)
46	00	112.00	138.00	53.00	97.00	24.2	150	26	153	60	125	13	45	12	2.0	68.5	23.4
	05	118.89	140.89	56.44	93.56	29.0		22	157			17	49	15	1.9		29.7
	10	124.66	142.66	59.77	90.23	34.4		18	160			20	52	20	2.2		35.9
	15	130.31	143.31	62.99	87.01	40.7		13	157			22	54	25	2.3		44.9
	20	135.87	142.87	66.09	83.91	46.3		7	158			55	3.1	53.5			
	25	142.34	142.34	69.06	80.94	53.0		0	158			23	58	25	2.8		61.6
	30	147.72	140.72	71.89	78.11	60.6		-7	155			58	3.2	69.1			
	35	151.04	137.04	74.58	75.42	67.9		-14	155			4.7	77.2				
	40	156.31	135.31	78.12	71.88	74.6		-21	150			20	61	3.1	81.7		
	45	160.54	127.54	81.51	68.49	82.1		-33	150			6.6	90.6				
	50	163.73	123.73	88.74	61.26	84.9		-40	160			5.0	93.9				
	55	181.23	138.23	97.82	62.18	82.0		-43	165			-48	83.5	90.0			
	60	182.78	134.78	106.81	58.19	85.0		-48	170			55	120	30	75.0		88.9
	65	209.23	132.23	108.72	61.28	87.0		-77	170			-83	30	71	4.0		95.0
	70	212.36	129.36	110.46	59.54	90.0		-83	170			-93	83.5	90.0			
	75	221.38	128.38	112.45	57.55	93.0		-93	170			-104	75.0	99.7			
80	231.82	127.82	113.42	56.58	100.0	-104	170	-104	80.0	112.1							

Stroke S	Working Force kN (tonf)			Coil Spring		Total weight Kg	Cam slider weight Kg	Tool mounting weight Kg	Model	W	θ				
	Standard (1Million times)	Conditional (1Million times)	Max. (300,000 times)	Initial load N (kgf)	Final load N (kgf)										
20.6	14.7 (1.5)	22.1 (2.2)	29.4 (3.0)	125 (12.8)	1129 (115)	TJM25X102	2.0	2.0	CA-S	46	00				
21.0				220 (22.4)							10				
21.2				282 (28.8)							15				
22.1				108 (11.0)	1007 (103)	TJM25X89					5.4	2.1	20		
23.0				144 (14.7)									25		
25.0				180 (18.4)									5.2	2.3	30
27.1															2.4
29.6				220 (22.4)	1035 (106)	TJM25X102					6.8	2.5	3.5	40	
32.4														180 (18.4)	1007 (103)
35.8				169 (17.2)	1011 (103)	TJM25X76					7.4	3.0	3.0	50	
45.3														150 (15.3)	1000 (102)
46.0				188 (19.2)	1002 (102)	TJM25X51					7.8	3.3	2.7	60	
47.3														150 (15.3)	1000 (102)
49.7				254 (25.9)	980 (100)	TJM25X44					8.1	3.5	2.5	70	
50.2														188 (19.2)	1002 (102)
57.6				254 (25.9)	980 (100)	TJM25X44					8.1	3.5	2.5	80	

Alteration	Code	Spec.
	SC	Forward movement of mount surface 1 ≤ SC ≤ 60 increment 1 mm