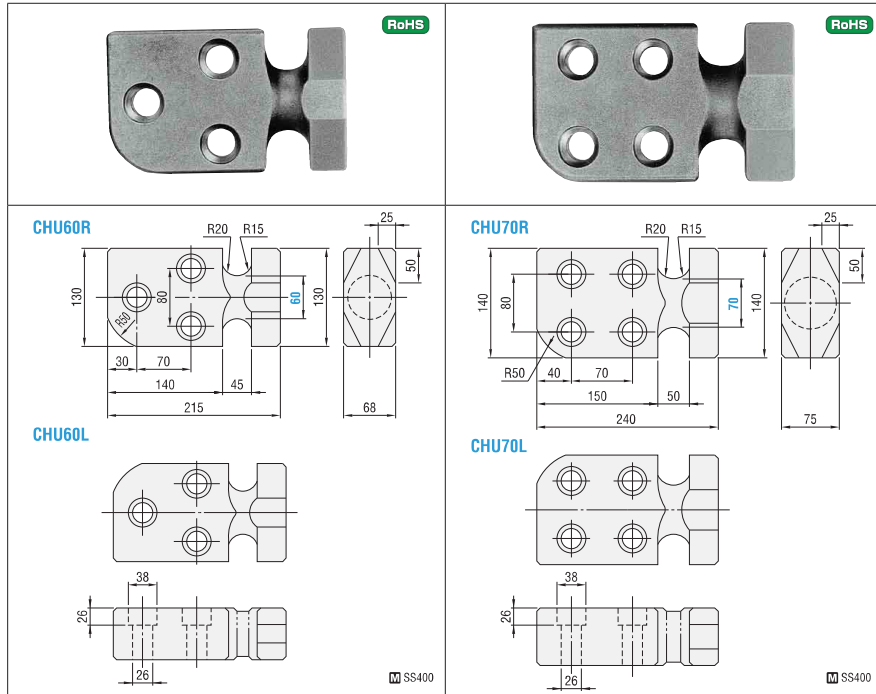


LIFTING HOOKS, INSERT TYPE



N/piece (kgf/piece) (For steel, safety factor 10)	Catalog No.	Base unit price 1 ~ 19 pieces
42170 (4300)	CHU	60R
47070 (4800)		60L
		70R
		70L

•Load (kgf) = Load N × 0.101972

■CHU installation bolts (strength class 10.9)
Use bolts of strength class 12.9 or 10.9 as defined in JIS B 1176 or JIS B 1180.

Length of threaded part Type M-L Use bolts of strength class 12.9 or 10.9 as defined in JIS B 1176 or JIS B 1180.
Full thread CB 24-80
60 90
100
110
120



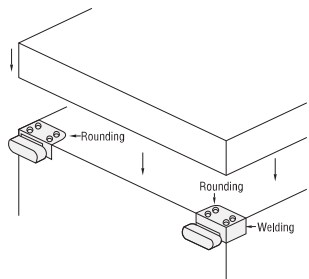
Order
Catalog No.
CHU 60R



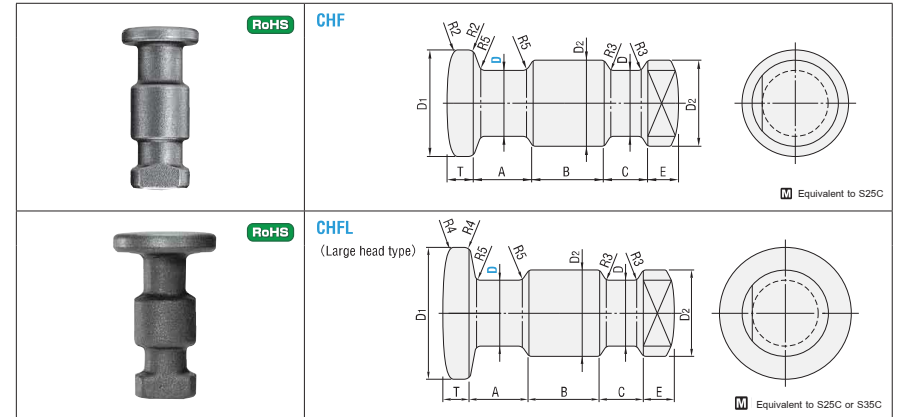
Days to Ship
Quotation



Price
Quotation

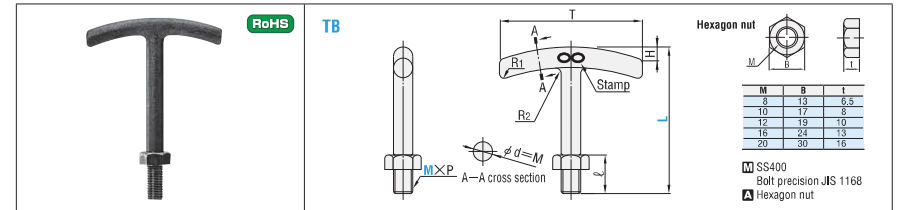


CAST-IN HOOKS AND T-SHAPED BOLTS



D	D1		D2	T		A	B	C	E	N/piece (kgf/piece)	Catalog No.		Base unit price 1 ~ 19 pieces	
	CHF	CHFL		CHF	CHFL						Type	D	CHF	CHFL
25	46	60	36	12	12.6	25	30	15	16.6	7940 (810)	CHF CHFL	25		
32	55	70	42	12.4	13.1	30	40	20	16.8	13140 (1340)		32		
36	60	80	46	17.6	18.5	35	45	25	17	16570 (1690)		36	Quotation	
40	70	90	55	18.1	18.9	35	60	30	17.4	20500 (2090)		40		
50	90	120	70	23.9	25.2	35	70	40	18.1	32070 (3270)		50		
70	120	140	100	30.2	31.1	40	80	40	19.4	62860 (6410)		70		

•Load (kgf) = Load N × 0.101972



M × P	H	R1	R2	T	ℓ	N/piece (kgf/piece)	Catalog No.		Base unit price 1 ~ 19 pieces	
							Type	M	L	
8 × 1.25	8	2	3	80	22	686 (70)	TB	8	100	
10 × 1.5	8	3	5	80	28	981 (100)		10	110	
12 × 1.75	8	3	5	90	34	1471 (150)		12	125	Quotation
16 × 2.0	10	5	6	100	45	2942 (300)		16	135	
20 × 2.5	10	5	8	120	50	3923 (400)		20	160	

•Load (kgf) = Load N × 0.101972



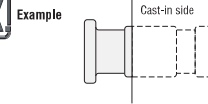
Order
Catalog No. — L
CHF 50
TB 12 — 125



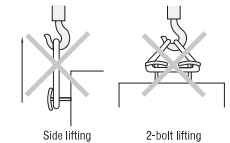
Days to Ship
Quotation



Price
Quotation



Caution
Never attempt the types of lifting shown in the diagram. (TB)



T-shaped bolts installation

Screw the bolt into the plate lightly with your hand, then tighten the hex nut firmly so that the nut seat is in tight contact with the surface of the plate.
※Tightening the nut last allows you to adjust the direction of the T-bar as needed.