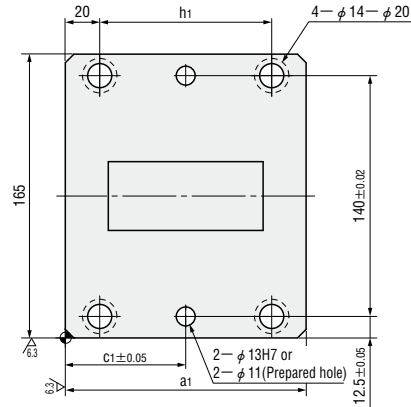


STANDARD UNDER CAM UNITS — DRILLED DOWEL HOLES / FINISHED DOWEL HOLES—

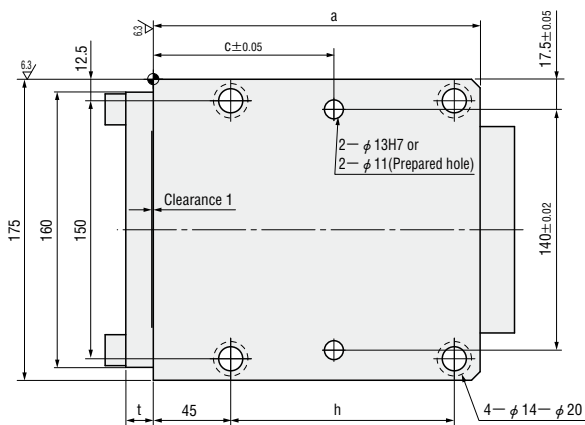
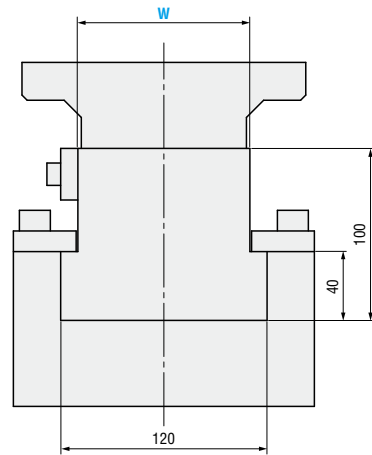
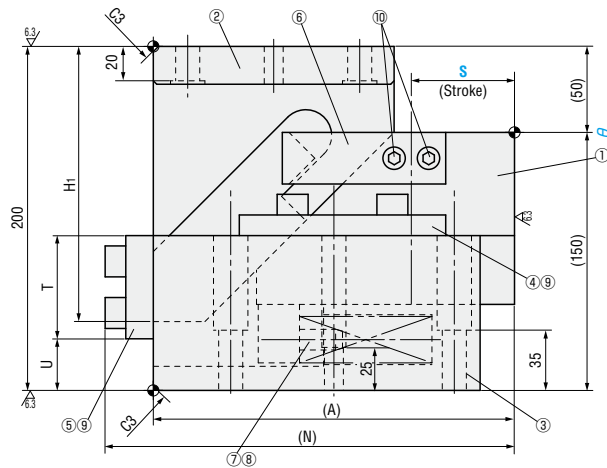
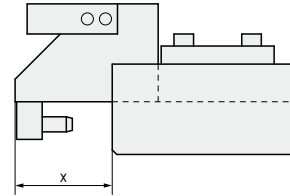
— MGDC · MGDCA · MEDC · MEDCA —

— Drilled dowel holes —
MGDC100 ($\theta=00$)
MEDC100 ($\theta=00$)
(Economy type)

— Finished dowel holes —
MGDCA100 ($\theta=00$)
MEDCA100 ($\theta=00$)
(Economy type)



■ Rear removal space



■ Components table P.1335

W	θ	S	A	H ₁	N	T	U	a	a ₁	c	c ₁	h	h ₁	t	x
100	00	40	190	140	218	60	30	190	120	105	60	130	80	16	100
		60	210	160	238				140		70		100		
		80	250	170	277	115	10	220	150	135	75	160	110	15	110

Standard working force	Working force KN (tonf)		Spring load N (kgf)			Total weight kg	Catalog No.	W	θ	Slide Stroke S
	Max. working force	Preload	5mm before bottom dead center	Max. load						
29.4 (3.0)	58.8 (6.0)	189 (19.3)	1015 (103.5)	1133 (115.5)	37.0	— Drilled dowel holes — MGDC MEDC (Economy type)	100	00	40	
		203 (20.7)	1061 (108.2)	1139 (116.1)					60	
		170 (17.4)	1235 (126.0)	1306 (133.2)					80	
							— Finished dowel holes — MGDCA MEDCA (Economy type)			

Order — —

Days to Ship

Price

Alterations — — —

Alteration	Code	Spec.
	N12	Change dowel hole diameter $\phi 13H7 \Rightarrow \phi 12H7$ ⊗ Not applicable for prepared hole type