

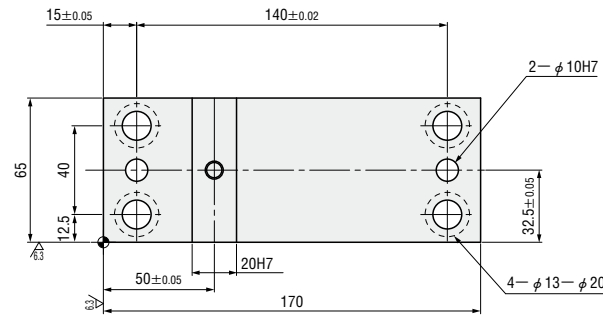
STANDARD FLYING CAM UNITS FOR PIERCE

—MGFV · MEVN—

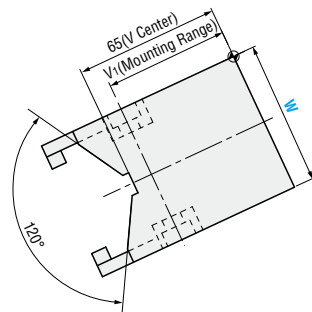
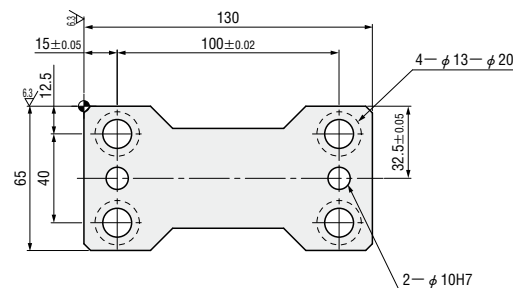
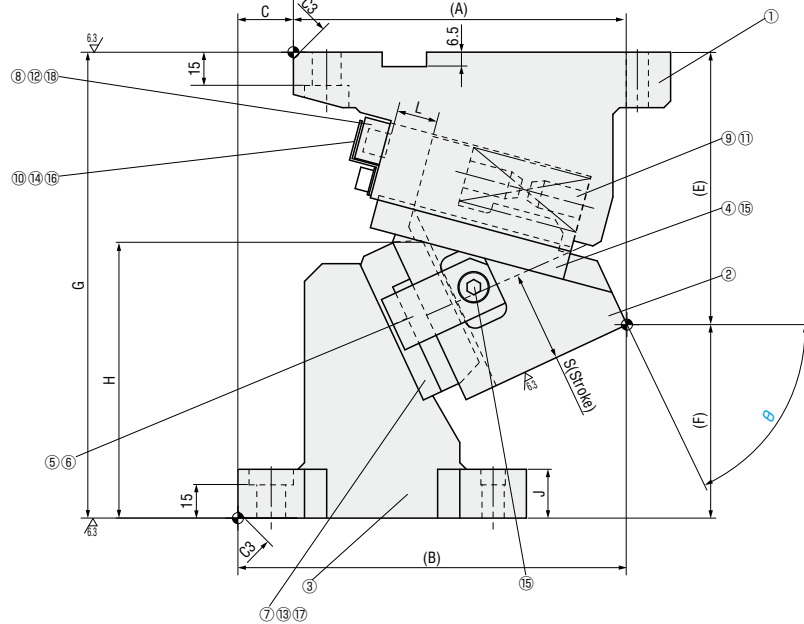
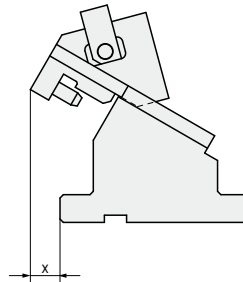


— With automatic alignment —
MGFV65 ($\theta=50-70$)

— Without automatic alignment —
MEVN65 ($\theta=50-70$)
(Economy type)



■ Rear removal space



■ Components table P.1179

W	θ	A	B	C	E	F	G	H	J	L	V ₁	x
65	50	165.41	170.41	5	96.79	93.21	190	111.1	22	17.1	65	37
	55	159.51	169.51	10	99.89	90.11		115.3				42
	60	156.68	176.68	20	120.78	89.22	210	129.1		18.1		46
	65	150.33	175.33	25	122.8	87.2		129.4				52
	70	146.45	178.45	32	131.68	78.32		128.5		63		55

Slide Stroke S	Working force KN (tonf)		Spring load N (kgf)			Total weight kg	Catalog No.	W	θ
	Standard working force	Max. working force	Preload	5mm before bottom dead center	Max. load				
26.5	19.6 (2.0)	39.2 (4.0)	407 (41.5)	1073(109.4)	1226 (125.0)	8.4	— With automatic alignment— MGFV	65	50
29.7			1087(110.9)	8.4		55			
35.0			1102(112.3)	9.3		60			
41.4			1121(114.3)	9.3		65			
51.1			1140(116.2)	9.5		70			

Order

Days to Ship **Quotation**

Price **Quotation**

Alterations

Alterations	Code	Spec.
	K	Add locating key (With 1 hexagon socket head cap screws M8×15)
	SC	Move forward mounting surface 1 ≤ SC ≤ 60 1mm increment