

PANEL INPUT DETECTORS

—LINEAR TYPE—

RoHS

PLGL (L type)
PLGR (R type)



Photograph: PLGL (L type)

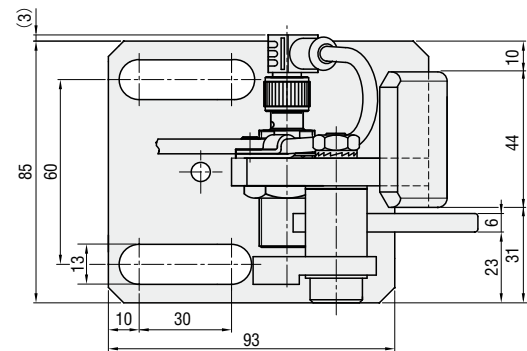


Figure: PLGR (R type)



This product was discontinued in 2017.

Catalog No. : PLGL PLGR

■ Components

No.	Name	Quantity	Remarks
①	Body of gauge	1	SS400
②	Detection lever	1	SS400
③	Detection plate	1	SS400
④	Shoulder bolt	1	MSB12—30
⑤	Spacer	1	SS400
⑥	Nord-Lock	1	NLDP8
⑦	Nut	1	M8
⑧	Oil-free bushing	2	MDZF12—12

No.	Name	Quantity	Remarks
⑨	Actuation pin	1	SUJ2 HRC58~
⑩	Linear guide	1	SSEBZ10—55
⑪	Hexagon socket head cap bolt	7	SCB3—10
⑫	Nord-lock	4	NLDP3
⑬	Proximity sensor	1	Product of OMRON
⑭	Sensor cable	1	Product of TURCK
⑮	Cable clamp	1	UC—0.5
⑯	Hexagon socket head cap screw	1	CB4—10

A	L2	Catalog No. Type	L	L1	Base unit price 1~9 pcs.
(16.1)	35	L type PLGL	50	125	Quotation
(17.4)	55		70	150	
(24.1)		R type PLGR	90	175	
(18.7)	200				
(25.5)	75	225			
(32.2)					

Order Catalog No. — L — L1
PLGL — 50 — 125

Days to Ship **Quotation**

Price **Quotation**

Alterations Catalog No. — L — L1 — (STC·LHC, etc.)
PLGL — 50 — 125 — CLC

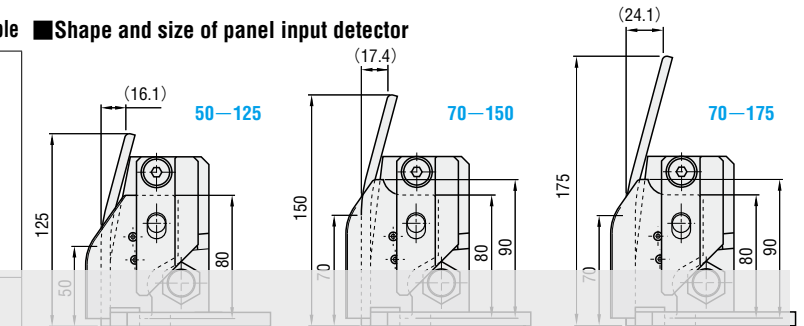
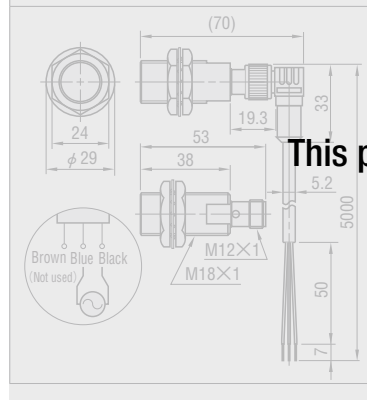
Alteration	Code	Spec.	1Code
ST=10 → 5mm	STC	Detection lever stroke change length of ST ST=10→5mm	
LHC	LHC	Change gauge height L1 L50: 115 ≤ LHC ≤ L1 max. L70: 90: 130 ≤ LHC ≤ L1 max. 5mm increments	Quotation
Cable length change	CLC	The cable length change from 5m to 10m.	
Without proximity sensor and sensor cable	SCN	Proximity sensor and sensor cable are NOT provided.	

■ Features

- Horizontal movement of detection lever: Unlike conventional rocking detection levers, the lever is unaffected by variations in the panel position and provides stable detection.
- Smooth movement: The use of a linear guide and oil-free bushing allows the sensor to be activated by a light load.
- Proximity sensor
 - The connector-type proximity sensor can be installed and removed easily, facilitating maintenance.
 - Low-height mounting: Because the relief distance for the upper die can be reduced, the strength loss of the upper die is reduced.

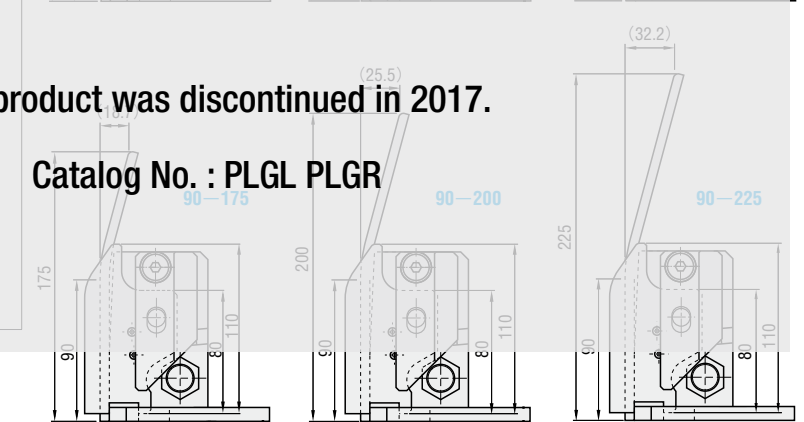
■ Specifications of proximity sensor and cable ■ Shape and size of panel input detector

Proximity sensor (product of OMRON)
Model: E2E—X5Y1
Power supply: 24 ~ 240V AC
Ambient temperature: 85°C or less
Connector cable (product of TURCK)
Model: WWAKW 4T—5
Power supply: 4A

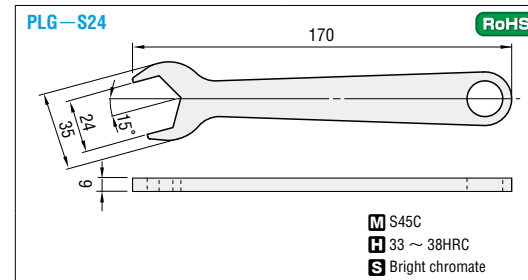


This product was discontinued in 2017.

Catalog No. : PLGL PLGR

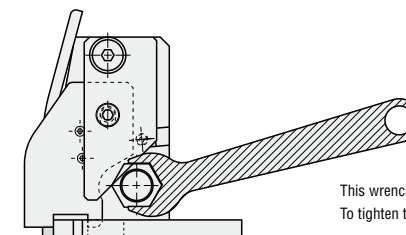


■ Wrench for attaching proximity sensor



- M S45C
- H 33 ~ 38HRC
- S Bright chromate

EX Example



This wrench is used to hold the sensor in place.
To tighten the mounting nut on the opposite side, use a general-purpose wrench.

Catalog No.	Base unit price
PLG—S24	Quotation

Order Catalog No. PLG—S24

Days to Ship **Quotation**