



DRAWING DIES

— CARBIDE —

Headed type



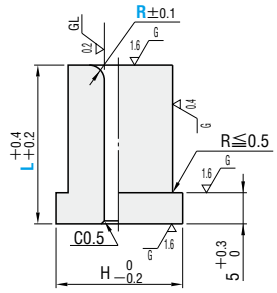
Straight type



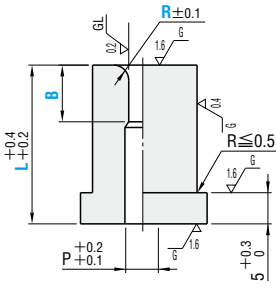
RoHS

Headed type	Straight type	M	H
WHA2S	WSA2S	Super fine grain (HIP)	90~92HRA
WHA2A	WSA2A		
WHA2B	WSA2B		
WHB2S	WSB2S	V40 (HIP)	87~88HRA
WHB2A	WSB2A		
WHB2B	WSB2B		

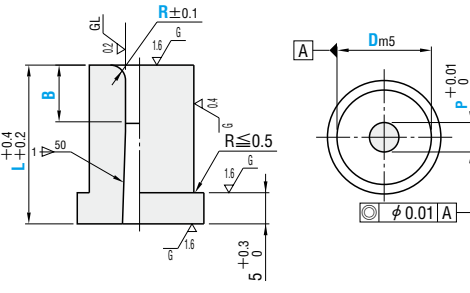
WHA2S M Super fine grain
WHB2S M V40



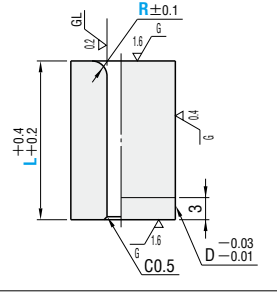
WHA2A M Super fine grain
WHB2A M V40



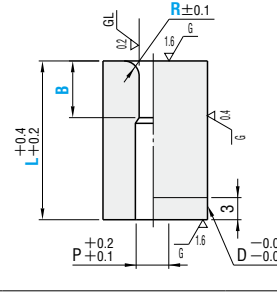
WHA2B M Super fine grain
WHB2B M V40



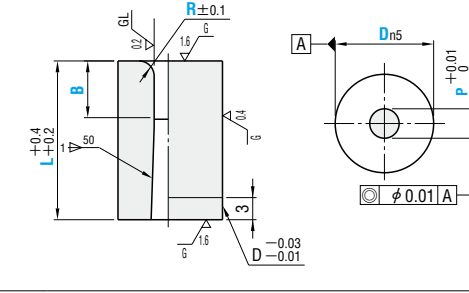
WSA2S M Super fine grain
WSB2S M V40



WSA2A M Super fine grain
WSB2A M V40



WSA2B M Super fine grain
WSB2B M V40



Catalog No.		L	0.01mm increments	1mm increments	0.1mm increments	H
Type	D		min. P max.	B	R	
M Super fine grain	WHA2S	6	2.20 ~ 3.00	-	0.2 ~ $\frac{D-P-2}{2}$ (R=0 can be selected.)	9
	WSA2S	8	2.50 ~ 4.00			11
	WHA2B	10	3.00 ~ 5.00			13
	WSA2B	13	4.00 ~ 6.50			16
	WHB2S	16	5.00 ~ 8.00			19
M V40	WSB2S	20	8.00 ~ 10.00	23		
	WSB2S	25	10.00 ~ 12.50	28		
	WHA2A	6	2.20 ~ 3.00	B ≤ P × 3 (2B type only and B ≤ $\frac{L}{2} + 2$)	0.2 ~ $\frac{D-P-2}{2}$ (R=0 can be selected.)	9
	WSA2A	8	2.50 ~ 4.00			11
WHA2B	10	3.00 ~ 5.00	13			
WSA2B	13	4.00 ~ 6.50	16			
WHB2A	16	5.00 ~ 8.00	19			
M V40	WSB2A	20	8.00 ~ 10.00	23		
	WSB2A	25	10.00 ~ 12.50	28		

Order Catalog No. — L — P — B — R
 WHB2S 13 — 22 — P5.50 — R1.4
 WHB2A 13 — 22 — P5.50 — B8 — R1.4

Days to Ship **Quotation**

Alterations Catalog No. — L(LC) — P — B — R — (HC-TC, etc.)
 WHB2A 13 — LC21 — P5.50 — B8 — R1.4 — HC15

Alteration	Code	Spec.	1Code
Alterations to head		Head diameter change D ≤ HC < H 0.1mm increments	Quotation
		Head thickness change 2 ≤ TC < 5 0.1mm increments (If combined with TKC-TKM, 0.01mm increments can be selected.) Full length is shortened by (5-TC). If combined with LC, full length L is equal to LC.	
		Head thickness tolerance change T +0.3 → +0.02 ⊗ Cannot be used for L < 16.	
		Head thickness tolerance change T +0.3 → -0.02 ⊗ Cannot be used for L < 16.	

Alteration	Code	Spec.	1Code
Alterations to full length		Full length change 13 ≤ LC < L 0.1mm increments (If combined with LKC, 0.01mm increments can be selected.)	Quotation
		Full length tolerance change L +0.4 → +0.05 +0.2 → 0	
Others		P dimension tolerance change P +0.01 → +0.005 0	Quotation
		D dimension tolerance change D _{m5} → +0.005 0	
		R dimension tolerance change R ± 0.1 → ± 0.05	

Price **Quotation**