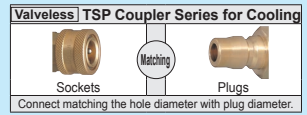


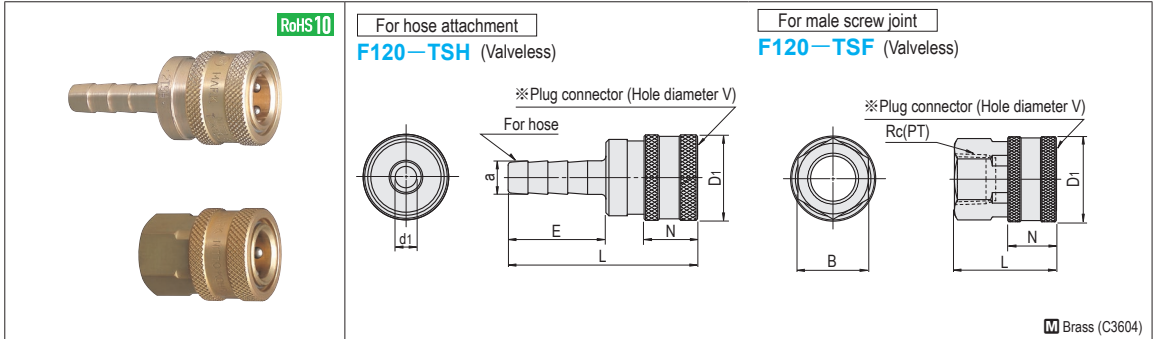
# VALVELESS TSP COUPLERS FOR COOLING

## -SOCKETS • PLUGS-



☑ Connect socket and plug of the same diameter size of TSP Couplers for Cooling ☑ Matching Joint Plug Connections **P.245** ☑ Guide for Sockets • Plugs **P.247 • 248**

### ■ Sockets



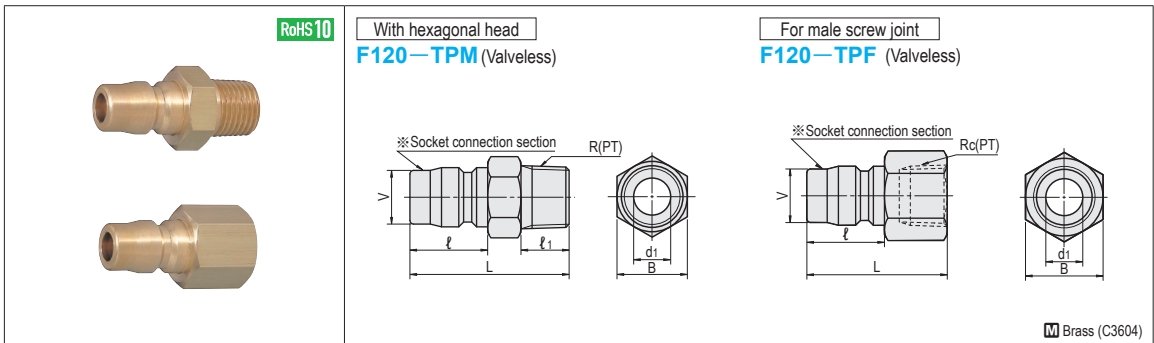
Max. pressure MPa (kgf/cm <sup>2</sup> )	Opposite side		Matching plug	Plug connection parts				F120—TSH				F120—TSF		Part Number		Unit Price
	Nominal dia.	Tip dia.		Hole dia. V	N	D1	L	d1	For hose a	E	L	Allen side B	Tapered female thread Rc(PT)	Type	No.	
5.0 (51)	8A	1/4	TSP couplers Tip dia. V=11	11	17	24	55	5	8	29	32	19	1/4	F120—TSH (Brass)	2	Quotation
	10A	3/8	TSP couplers Tip dia. V=14	14	17.5	28	62	7	11	32	35	23	3/8	F120—TSF (Brass)	3	
	15A	1/2	TSP couplers Tip dia. V=19	19	20	35	74	10	15	39	42	29	1/2	F120—TSF (Brass)	4	

Part Number	Usable temp. range
F120—TSH—F120—TSF	-20°C~+180°C

☑ Matching Plugs: MISUMI's TSP couplers for cooling F120—TPM (E.g. F120—TPM2) • SF120—TPM • F120—TPF • SF120—TPF **P.260 • 268**  
Nitto's TSP couplers □TPM (E.g. 3TPM) • □TPF • □TPH

☑ For TSP couplers for cooling, there is no automatic open / close valve because it is valveless type. Please confirm the hydraulic pressure and water temperature before removing the socket.

### ■ Plugs



Max. pressure MPa (kgf/cm <sup>2</sup> )	Matching sockets	Socket connection parts			F120—TPM				F120—TPF			Opposite side		Part Number		Unit Price
		V	ℓ	Int. dia. d1	L	Allen side B	Tapered male thread R(PT)	ℓ1	L	Allen side B	Tapered female thread Rc(PT)	Nominal dia.	Type	No.	1~9 pcs	
5.0 (51)	TSP couplers Tip dia. V=11	11	18	6.5	38	17	1/4	13	34	17	1/4	8A	1/4	F120—TPM (Brass)	2	Quotation
	TSP couplers Tip dia. V=14	14	21	10	43	17	3/8	13	38	21	3/8	10A	3/8	F120—TPF (Brass)	3	
	TSP couplers Tip dia. V=19	19	24	13	52	22	1/2	17	45	29	1/2	15A	1/2	F120—TPF (Brass)	4	

☑ Matching Sockets: MISUMI's TSP couplers for cooling F120—TSH (E.g. F120—TSH3) • SF120—TSH • F120—TSF • SF120—TSF **P.260 • 268**  
Nitto's TSP couplers □TSH (E.g. 3TSH) • □TSF • □TSM

☑ For TSP couplers for cooling, there is no automatic open / close valve because it is valveless type. Please confirm the hydraulic pressure and water temperature before removing the socket.



Part Number  
F120—TSH2  
F120—TPM2



Days to Ship

Quotation



Price

Quotation

COMPONENTS FOR MOLD COOLING AND TEMPERATURE CONTROLLING SYSTEMS