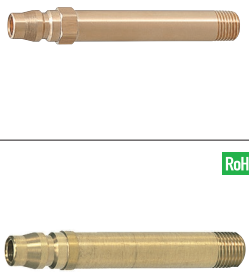


HIGH COUPLERS FOR COOLING PIPE

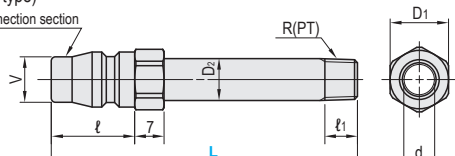
-PLUGS-

Matching Joint Plug Connections P.245 Guide for Plugs P.247



RoHS 10 **LJPLH** (Hexagonal head long type) Matching Sockets: P.253

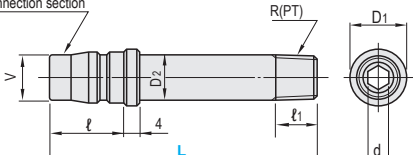
※Socket connection section



M Brass (C3604)
Thread JIS B0203
Tapered thread for tubing R(PT)

RoHS 10 **LJPL** (Hexagonal hole long type) Matching Sockets: P.253

※Socket connection section



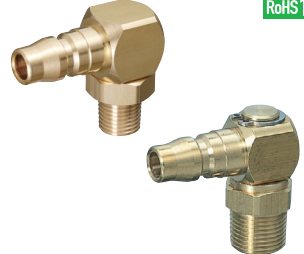
M Brass (C3604)
Thread JIS B0203
Tapered thread for tubing R(PT)

Allen wrenching hole on both ends (socket connection and tapered thread parts).
The hex-wrench hole extends to a point mid-way from both ends. It is not fully pierced.

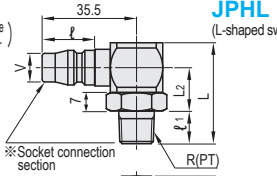
Max. pressure MPa (kgf/cm ²)	Matching sockets	Socket connection parts		D1	D2	d	Tapered thread R(PT)	ℓ1	Opposite side Nominal dia.	Part Number		L			
		V	ℓ							Type	No.				
1.0 (10)	High couplers series Socket hole diameter V=10.9	10.9	20	14	10	6	1/8	9	6A	1/8	Hexagonale head, long LJPLH (Brass)	1	100 110 120 130 140 150 200		
					13.2	7.6	1/4	11	8A	1/4	2				
		10.9	20	14	10	5	1/8	9	6A	1/8	Hexagonale hole, long LJPL (Brass)	1		40-115 5 mm increments	120-200 10 mm increments
					13.2	1/4	11	8A	1/4	2					

Part Number	Unit Price (1~9 pcs)									
	Type	No.	L	L100	L110	L120	L130	L140	L150	L200
LJPLH	1									
	2			Quotation						

Part Number	Unit Price (1~9 pcs)			
	Type	No.	L	L
LJPL	1			
	2			Quotation

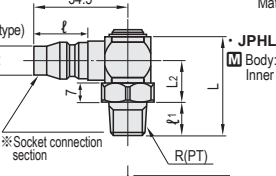


RoHS 10 **JPHLM** (L-shaped swivel type - Constant flow type-) Matching Sockets: P.253



M Body: Brass (C3604)
Inner parts: Brass (C2700W)
Fluoric rubber
Fluoric rubber grease

JPHL (L-shaped swivel type)



M Brass (C3604)
Thread JIS B0203
Tapered thread for tubing R(PT)

Hexagonal hole bored at the tapered screw end.

Max. pressure MPa (kgf/cm ²)	Matching sockets	Socket connection parts		L	L2	Allen side B	Hexagonal wrench socket d	Tapered thread R(PT)	ℓ1	Opposite side Nominal dia.	Part Number		Unit Price 1~9 pcs	
		V	ℓ								Type	No.		
1.0 (10)	High couplers series Socket hole diameter V=10.9	10.9	20	35.5	16.5	20	6	1/8	9.5	6A	1/8	L-shaped swivel type -Constant flow type- JPHLM (Brass)	1	Quotation
				38.5			1/4	12.5	8A	1/4	2			
				39.5			3/8	13.5	10A	3/8	3			
		10.9	20	36.5	15.75	19	5	1/8	9.5	6A	1/8	L-shaped swivel type JPHL (Brass)	1	
				39.5			1/4	12.5	8A	1/4	2			
				42.5			3/8	13.5	10A	3/8	3			

Matching Sockets: MISUMI's high couplers for cooling pipe KHSH • KHSM • KHSF • F120—KHSH • F120—KHSM • F120—KHSF P.253
Nitto's high couplers □□SH (E.g. 20SH) • □□SM (E.g. K20SM) • □□SF

Order

Part Number — **L**

LJPLH 2 — 100

LJPL 2 — 100

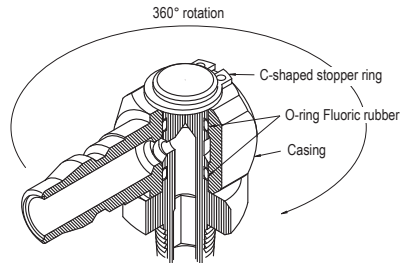
JPHL 2

Days to Ship **Quotation**

Price **Quotation**

Example

- As for L-Shaped Swivel Plugs, the tube extraction angle can be altered by turning its head after tightening the screw.
- Note that intermittent or continuous turning of the head could damage the O-ring, which results in water leakage.



COMPONENTS FOR MOLD COOLING AND TEMPERATURE CONTROLLING SYSTEMS