


OIL-FREE SLIDE PLATES

— COPPER ALLOY 10mm • PLATE THICKNESS PLUS TOLERANCE TYPE —

OIL-FREE SLIDE PLATES


— COPPER ALLOY 10mm • HEAT RESISTANT 150°C TYPE —

⚠ Non JIS material definition is listed on P.1351 - 1352



RoHS **PSLP**

• Sliding direction



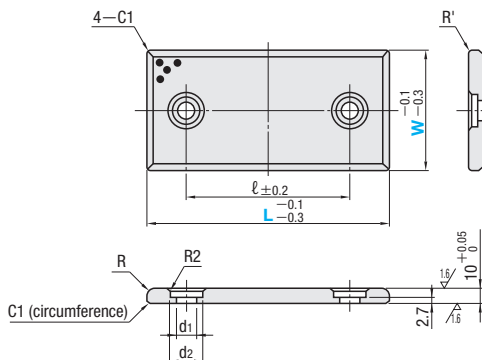
For W=30・40, longitudinal (L) direction only.

• Prior to use, apply initial running-in grease for better performance.

• Recommended installation bolts

W	L	Recommended installation bolts
30	50	CBS8—20 (Low Head Cap Screw)
40	50	CBS8—20 (Low Head Cap Screw)
30	75~150	CBS10—20 (Low Head Cap Screw)
40	75~150	CBS10—20 (Low Head Cap Screw)
50	75~150	CBS10—20 (Low Head Cap Screw)

Ⓜ Grade-4 high strength brass (CAC304) (Old JIS : HBsC4) Special solid lubricant embedded



4-C1
R'
W -0.3
ℓ ±0.2
L -0.3
R
R2
d1
d2
2.7
10^{+0.05}
A

C1 (circumference)

R	R'	d1	d2	ℓ	No. of holes	Part Number	W	L	U/Price				
									1~9				
R2	R2	9	14.5	20	2	PSLP	30	50	Quotation				
				45									
				50									
				75									
				100									
		150											
R4		11	17.5	20									
				45									
				50									
				75									
	100												
R2	R4	9	14.5	20	2	PSLP	40	50	Quotation				
				45									
				50									
				75									
				100									
		150											
R4		11	17.5	20									
				45									
				50									
				75									
	100												
							50	75					
								100					
								125					
								150					


 Order

Part Number **PSLP** W **40** - L **100**

 Price


Quotation

■ Features : It is different from conventional slide plates, and adjustment becomes easier due to plus thickness.



RoHS **HPSLP**

• Sliding direction



For W=30, W=40・L=50, longitudinal direction (L) only.

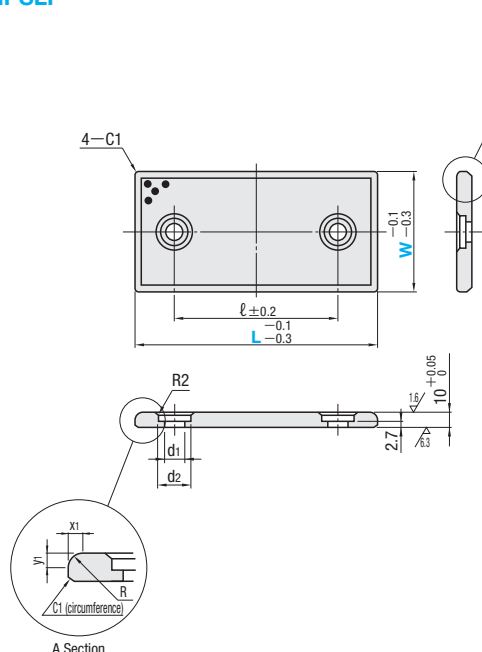
• Prior to use, apply initial running-in grease for better performance.

• Recommended installation bolts

W	L	Recommended installation bolts
30	50	CBS8—20 (Low Head Cap Screw)
40	50	CBS8—20 (Low Head Cap Screw)
30	75・100	CBS10—20 (Low Head Cap Screw)
40	75・100	CBS10—20 (Low Head Cap Screw)
50	75・100	CBS10—20 (Low Head Cap Screw)

⚠ Heat resistance temperature : 150°C or lower

Ⓜ Special high strength brass Special solid lubricant embedded



4-C1
R'
W -0.3
ℓ ±0.2
L -0.3
R2
d1
d2
2.7
10^{+0.05}
A
B Section
y2
x2
R'
A Section
x1
y1
R
C1 (circumference)

A Section			B Section			d1	d2	ℓ	No. of holes	Part Number	W	L	U/Price
R	x1	y1	R'	x2	y2								
R3	3	3	R3	3	3	9	14.5	20	2	HPSLP	30	50	Quotation
R5	4	3	R2	2	2	11	17.5	45					
								50					
								75					
								100					
R3	3	3	R3	3	3	9	14.5	20					
								45					
								50					
								75					
								100					
R5	4	3	R5	4	3	11	17.5	50					

 Order

Part Number **HPSLP** W **30** - L **100**

 Price

Quotation

■ Features : It can be used under high temperature conditions as compared to conventional slide plates.

 Days to Ship

Quotation