



GAS RELEASE ASSIST UNITS (VACUUM GENERATOR)

Heat resistance temperature: M—VCL (60°C)
M—VCLH (120°C)

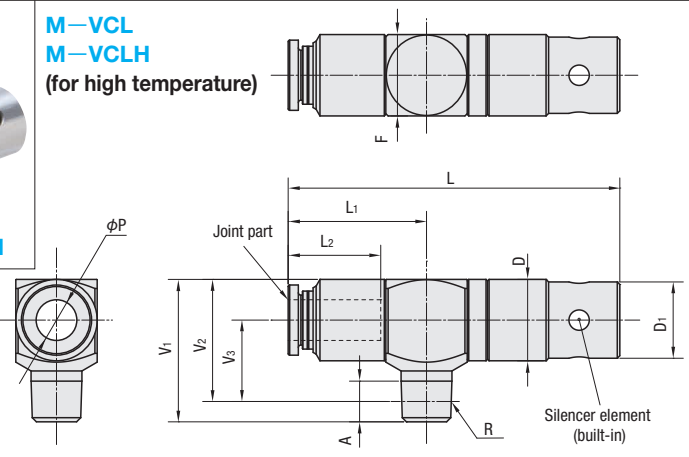
M—VCL



M—VCLH



M—VCL
M—VCLH
(for high temperature)



Material		M—VCL	M—VCLH
Joint part		Brass+Electroless nickel plated	Brass+Electroless nickel plated
Seal rubber		Nitrile rubber	Fluoric rubber
Main body		Aluminum	Aluminum
Silencer		Polyvinyl formal	SUS304
Thread		Sealing material application	None

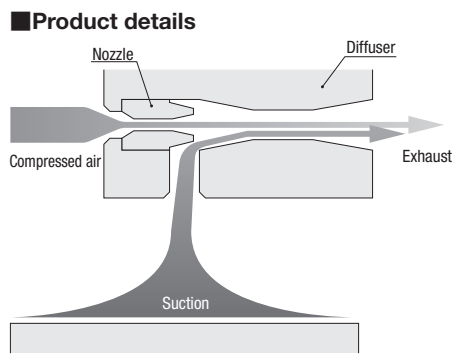
L	L1	L2	V1	V2	V3	F	Tube diameter φ P	D	D1	A	R (PT)	Part number		U/Price 1~4 pcs.
												TYPE	No.	
65.2	27.2	18.2	28	24	16	16	8	16	15	8	1/8	M—VCL M—VCLH	10—018C	Quotation

Usable temperature range: M—VCL (0~60°C), M—VCLH (0~120°C) Usable pressure range: 0.15~0.7MPa, Rated pressure supply: 0.5MPa
M—VCLH (for high temperature) is delivered without silencer embedded in the main body.
For use, make sure to remove the exhaust part and embed a silencer.

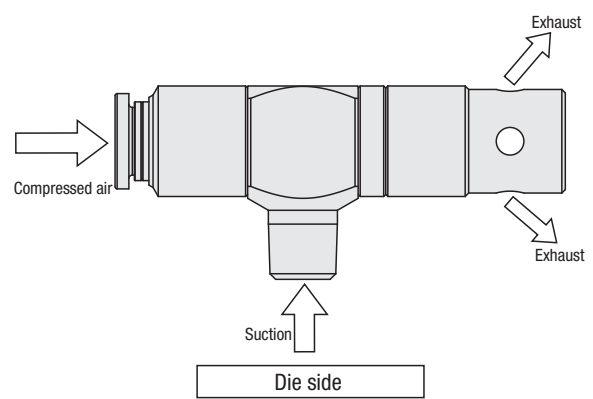
 Order **Part Number**
M—VCL10—018C

 Days to Ship **Quotation**

 Price **Quotation**

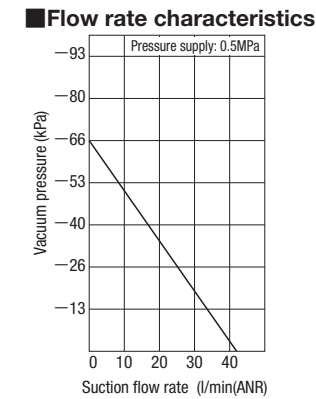
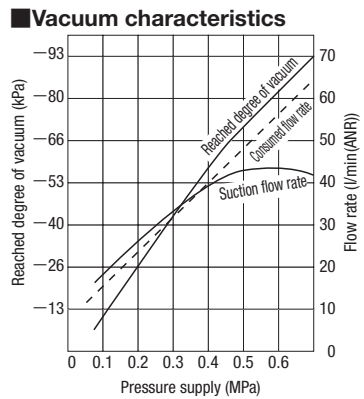


The vacuum generator converts compressed air to high-speed jet and obtains high degree of vacuum due to its structure with nozzle and diffuser.

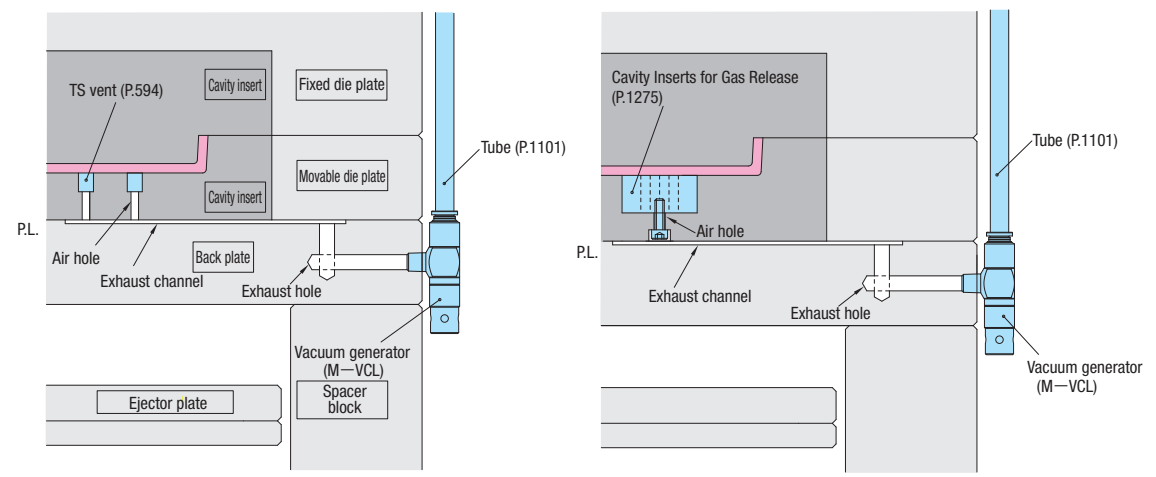


Compressed air	Vacuum flow rate	Degree of vacuum	Exhaust flow rate
0.5MPa	42ℓ/min (ANR*)	-66kPa	46ℓ/min

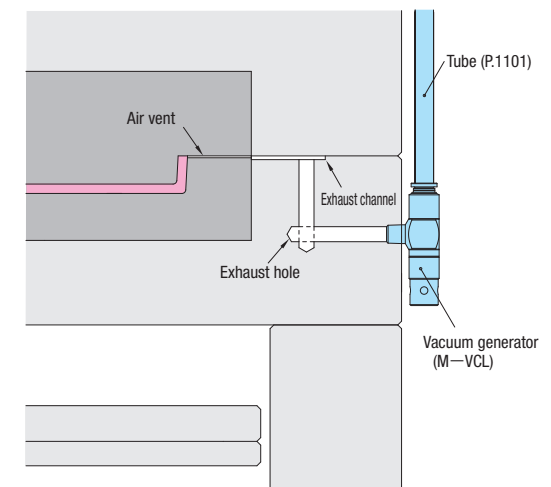
* ANR (Atmosphere Normale de Reference)
Reference normal atmosphere (Temperature: 20°C; Absolute pressure: 101.3kPa; Relative humidity: 65%)



When used to support gas release from the cavity inserts for gas release · gas vent, etc



When used to support gas release from the gas vent on the PL side



- Notes**
- Usable temperature range: M—VCL (0~60°C)
M—VCLH (0~120°C)
 - Usable pressure range: 0.15~0.7MPa
 - Rated pressure supply: 0.5MPa
 - Use clean air for compressed air as long as possible.
(Otherwise, foreign materials may adhere inside the equipment and deteriorate its functionality.)
 - Because the material of the M—VCLH (for high temperature) silencer is SUS304, it may be washed and reused. (not possible for M—VCL)
 - Silencer (built-in part) can be used even after removal. (Exhaust noise is increased to some extent, but it does not affect functionality.)

Resin which generates gas easily

- ACS resin
- PC (Polycarbonate)
- ABS resin
- PC/ABS (Alloy)
- POM (Polyacetal)
- Modified PPE (Modified polyphenylene ether)
- Modified PPO (Modified polyphenylene oxide)
- PP (Polypropylene)
- TPE kinds (Thermoplastic elastomer)