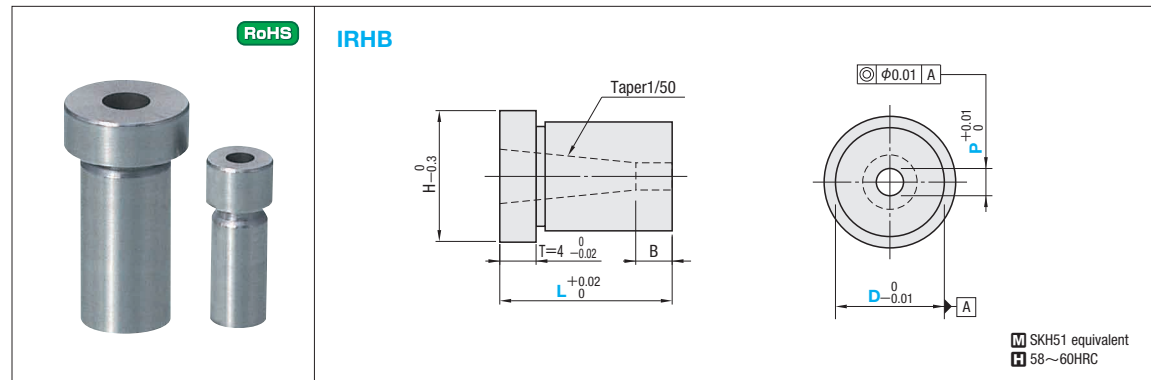


INLAY BUSHINGS

—HEAD TYPE—



B	H	Part Number		0.01mm increments		U/Price 1~4 pcs.
		Type	D	L	P	
3	5	IRHB	4	10.00~20.00	0.50~2.00	Quotation
	6		1.50~2.50			
4	9		6	10.00~25.00	2.00~3.00	
	11		8	15.00~25.00	2.50~4.00	
6	13		10	15.00~30.00	3.00~6.00	
10	15		12		3.50~8.00	

Order **Part Number** — **L** — **P**
IRHB10 — 24.68 — P5.26

Price **Quotation**

Days to Ship **Quotation**

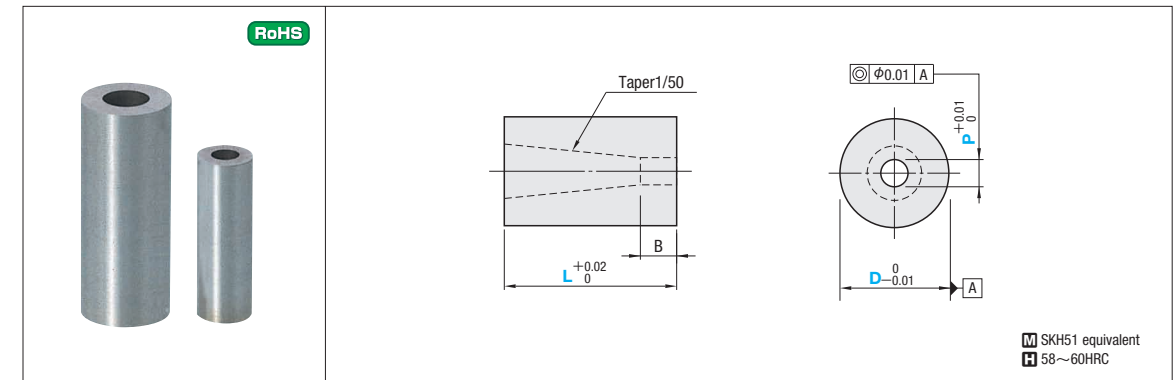
Alterations **Part Number** — **L** — **P** — (HC · TC · CC · CZ · LKC)
IRHB10 — 30.00 — P3.00 — HC12.5

Alterations	Code	Spec.	1Code
	HC	Head diameter change HC=0.1mm increments D ≤ HC < H	Quotation
	TC	Head thickness change TC=0.1mm increments 2.0 ≤ TC < 4 (Dimensions L remains unchanged.) 4 - TC ≤ Lmax. - L	
	CC	Performs C chamfering on the inlay hole(P)edge.	
	CZ	Adds a C chamfering on the tip outer part.	
	LKC	Changes L dimension tolerance. L ^{+0.02} / ₀ → L ^{+0.01} / ₀	

INLAY BUSHINGS

—STRAIGHT TYPE—

Non JIS material definition is listed on P.1351 - 1352



B	Part Number		0.01mm increments		U/Price 1~4 pcs.
	Type	D	L	P	
3	IRB	4	8.00~20.00	0.50~2.00	Quotation
		5		1.50~2.50	
4		6	10.00~25.00	2.00~3.00	
		8	15.00~25.00	2.50~4.00	
6		10	15.00~30.00	3.00~6.00	

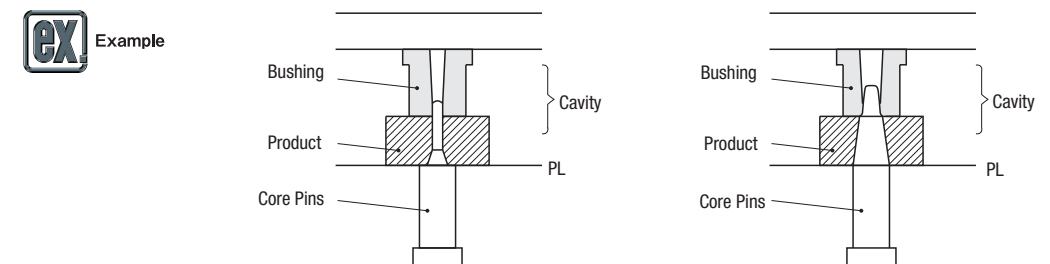
Order **Part Number** — **L** — **P**
IRB6 — 15.71 — P2.48

Price **Quotation**

Days to Ship **Quotation**

Alterations **Part Number** — **L** — **P** — (CC · CZ · LKC)
IRB10 — 30.00 — P3.00 — CC

Alterations	Code	Spec.	1Code
	CC	Performs C chamfering on the inlay hole(P)edge.	Quotation
	CZ	Adds a C chamfering on the tip outer part.	
	LKC	Changes L dimension tolerance. L ^{+0.02} / ₀ → L ^{+0.01} / ₀	



Shaped Inlay Core Pins for Boss