


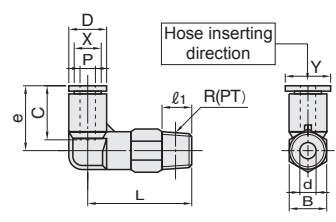
QUICK-FITTING JOINTS FOR MOLD COOLING

Green character items now kept in stock.

 Stock Items in Thailand




C-M-PL (L-shaped hexagon shoulder joint)



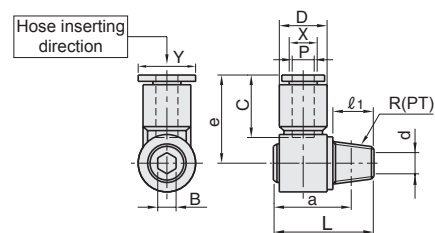
M Material Body: resin
Open ring: resin
Thread part: brass
※ Leakproof material is applied to the thread part.

Applicable Hose Outer Diameter*Inner Diameter	Hose Inserting Hole		D	d	L	e	B	l ₁	X	Y	R (PT)	Model		U/price	
	Hole Diameter	Depth										Type	No.		
4M 2.5	4	15	11	2.6	30	23.5	10	8	10	12	1/8	C-M-PL	4-01		
							14	10			1/4		4-02		
6M 4	6	15	13	4.6	31.5	24	12	8	12	14	1/8		6-01		
					34	24.5	14	10			1/4		6-02		
					35	24	17	11			3/8		6-03		
8M 6	8	18	14.4	5	35	29	14	8	14	16	1/8		8-01		
					6		37	10			14		1/4		8-02
					38.5		11	11			3/8		8-03		
10M 8	10	22	18.4	5	42	36.5	17	8	17	19	1/8		10-01		
					8		44	10			17		1/4		10-02
					45		11	11			3/8	10-03			
12M10	12	22	21	8	46.5	39	17	10	21	23	1/4	12-01			
					9		47.5	11			11	3/8	12-02		

※ Please keep the shock pressure (transient pressure caused by shock waves) under the maximum operating pressure (300kPa) when it is in use.



C-M-POL (L-shaped hexagon socket joint)



M Material Body: resin
Open ring: resin
Thread part: brass
※ Leakproof material is applied to the thread part.

Applicable Hose Outer Diameter*Inner Diameter	Hose Inserting Hole		Hexagon socket spanner dimension \varnothing B	D	d	L	e	l ₁	X	Y	R (PT)	Model		U/price
	Hole Diameter	Depth										Type	No.	
6M4	6	15	\varnothing 6	13	5	22.6	30	8	12	14	1/8	C-M-POL	6-01	
			\varnothing 8				25.1	34			10		1/4	
8M6	8	18	\varnothing 6	14.4	7	22.6	32	8	14	16	1/8		8-01	
			\varnothing 8			25.1	37	10			1/4		8-02	
			\varnothing 10			30.4	40	11			3/8		8-03	
10M8	10	22	\varnothing 8	18.4	8	25.1	41	10	17	19	1/4		10-01	
			\varnothing 10			30.4	42	11			3/8		10-02	
12M9	12	22	\varnothing 12	21	10	30.4	46	11	21	23	3/8		12-01	

※ Please keep the shock pressure (transient pressure caused by shock waves) under the maximum operating pressure (300kPa) when it is in use.



Order

Part Number

C-M-POL 6-02



Delivery



1

Day