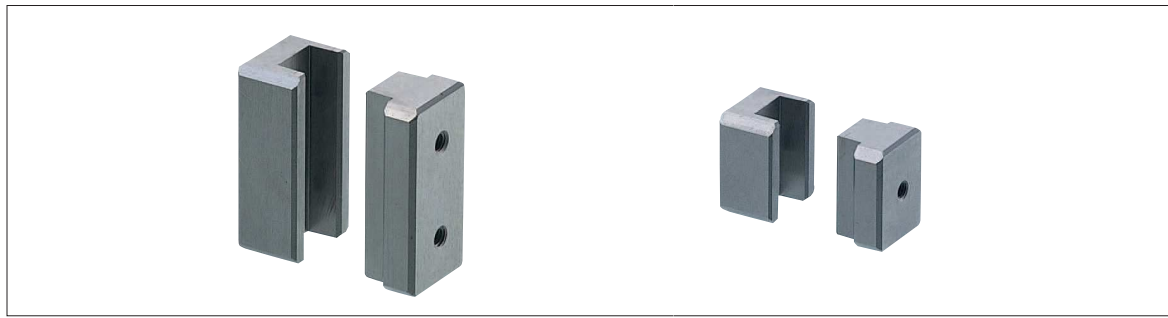


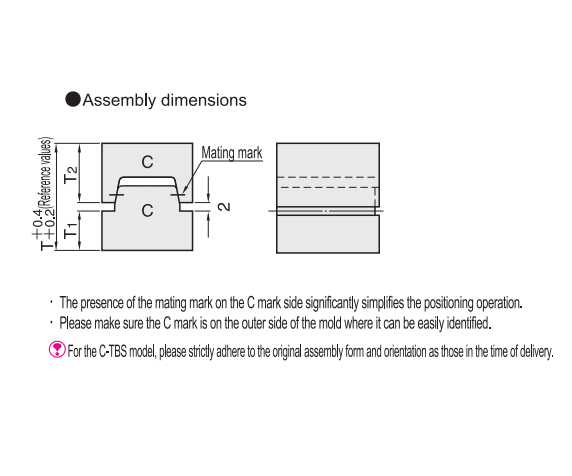
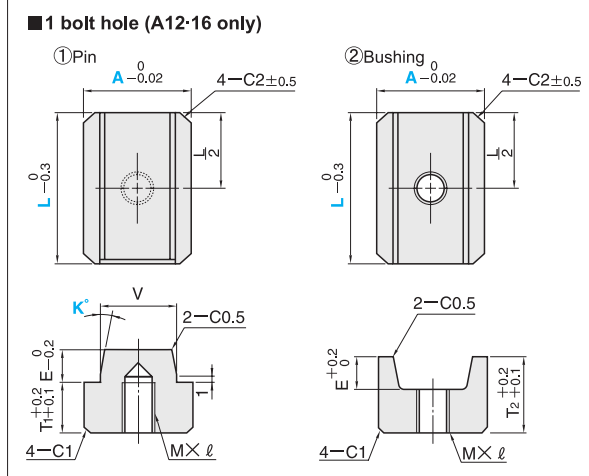
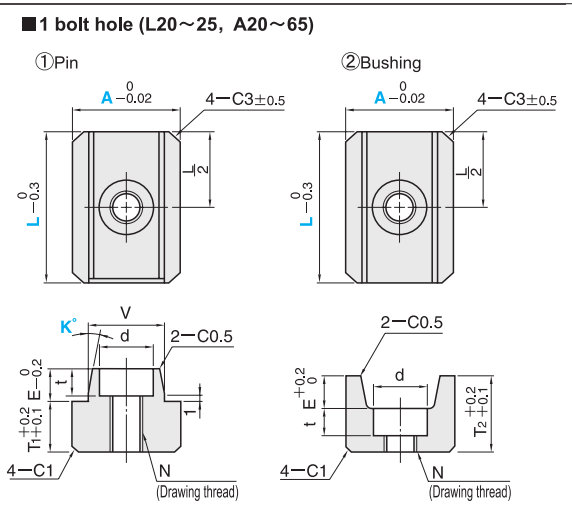
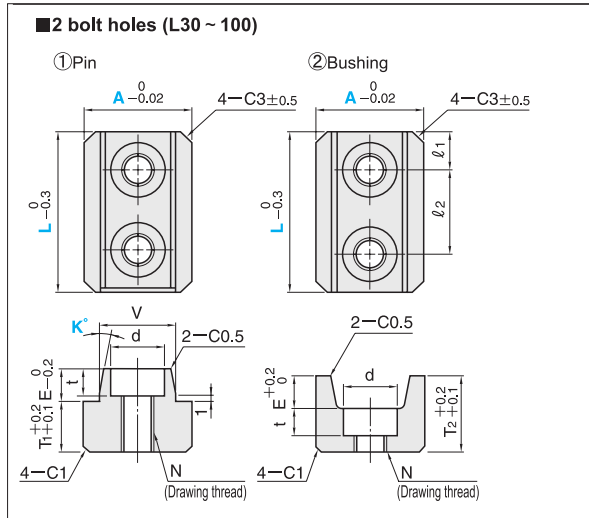
TAPER BLOCK SETS

Green character items
now kept in stock.



 Stock Items in Thailand



Group	Model Assembly	Tolerance	(With mating marks)	Material	Hardness
Standard Class	C-TBS	0 -0.02	Due to machining for assembly, non-original components should not be used for assembly	Equivalent to YK30	56HRC~



 Order **Part Number** **C-TBS 35** - **L** **40** - **K** **3**

 Delivery  **1** Day

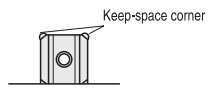
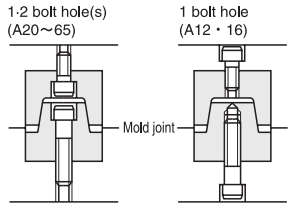
Green character items now kept in stock.

 Stock Items in Thailand

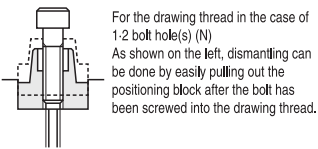
■ **Standard Class** with Mating Marks

V	E	T	T ₁	T ₂	Bolt Hole				Mounting Bolt	Drawing Thread N	Threaded Hole MX ℓ	Bolt Hole Quantity	Model		L Selection	K° Selection	U/price			
					ℓ ₁	ℓ ₂	d	t					Type	A						
7	5								M3	M 3	M3X6	1 (Threaded hole)	C-TBS	12	15					
9		23	7	14					M4	M 4	M3X6	1 (Threaded hole)		16	20					
12	7						6.5	3.5	M3	M 4		1			20	25				
												2			30	40				
												1			25	30				
15	8	28	9	17					M4	M 5					25	30	40			
															2	40	25	30		
17		32	10	20			9	6	M5	M 6						30	25	30	5	
																1	40	30		
																	30	40		
20	10	35	11	22								2			35	40	50			
																40	40			
															50	40				
25	15	45	14	29			11	7	M6	M 8					45	75	100			
																100	65			
																65	60			
35	20	60	19	39			15	30	M8	M10										

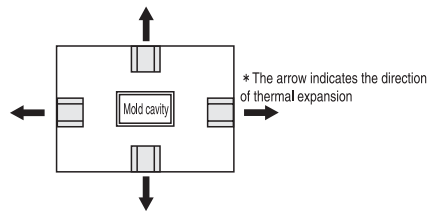
■ **Precautions for Use**



Conduct installation as shown on the left.
If an installation groove is used,
it's recommended that keep-space corners be set in place.



■ **Features of Tapered Precision Positioning Block Set**



■ The tapered precision positioning block set can absorb the thermal expansion of the mold plate as the temperature of thermosetting resin molds rises to a relatively high level, maintaining a proper positioning function.
As shown above, the thermal expansion may not be fully absorbed if a precision positioning pin set is utilized.
For the precision positioning block set, if the groove's orientation is parallel to the direction of the thermal expansion as shown above, the impact of the thermal expansion can be eliminated.