

BAND HEATERS / BAND SENSORS

■ Band Heaters



C-MBH

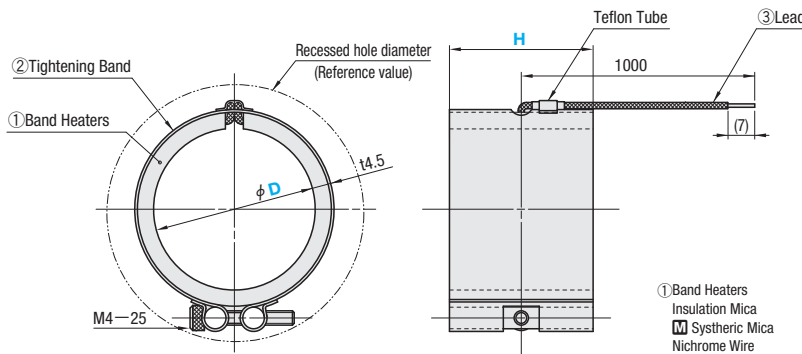


Table of electric power (W) (±10%) Insulation resistance 100MΩ or more

D	H					
	28	30	35	40	45	50
30	130	140	165	200	220	250
35	150	165	200	220	250	300
40	175	200	220	250	300	320
45	200	220	250	300	320	350
50	220	250	300	320	350	400
60	—	250	300	350	400	450
70	—	290	350	400	450	500
80	—	330	400	450	550	600
90	—	370	450	500	600	650
100	—	420	500	550	650	700

- ① Band Heaters
- Insulation Mica
- Systheric Mica
- Nichrome Wire
- Nickel Chrome ribbon wire
- ①~② Heat resistant temperature 300°C
- ③ Lead heat resistance temperature 180°C
- ② Tightening Band
- SUS430
- ③ Lead
- Heat-resistant glass wire

Voltage	Watt density W/cm ²	Recessed hole diameter (Reference value)	Part No.		H (Thickness of Band)
			Type	D	
220	W/cm ² = W × 100 / (H × D × 3.14)	(60)	C-MBH	28	30~50 (5mm increments) 60~100 (10mm increments)
		(64)		30	
		(70)		35	
		(74)		40	
		(80)		45	
		(84)		50	



Order

Part No. — H
C-MBH28 — 40



Days to Ship **12** Days



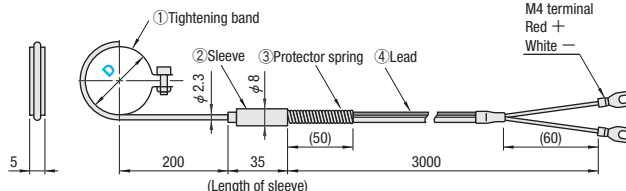
Price

Order / Quote:
WOS: <https://in.misumi-ec.com/>
TEL:+91-124-468-8800 E-mail:cs@misumi.co.in

■ Band Sensors



SSMB (K type)



Max. usable temperature 450°C Use the sleeve at a temperature of no more than 90°C.

SUS304

Type	Part No.	
	D	H
SSMB	25	
	30	
	35	
	40	
	45	
	50	



Order

Part No.
SSMB 30



Days to Ship **6** Days



Price

Order / Quote:
WOS: <https://in.misumi-ec.com/>
TEL:+91-124-468-8800 E-mail:cs@misumi.co.in