

# OIL-FREE SLIDE UNITS FOR LOOSE CORE

—INTEGRAL TYPE—

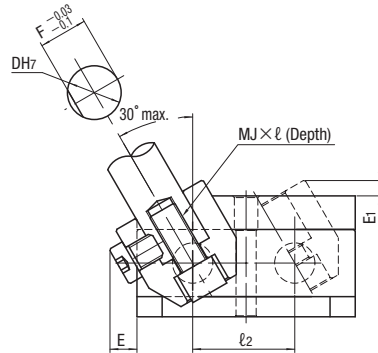
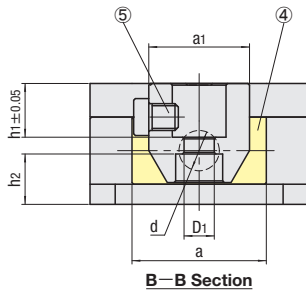
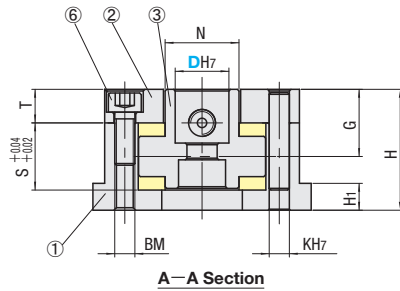
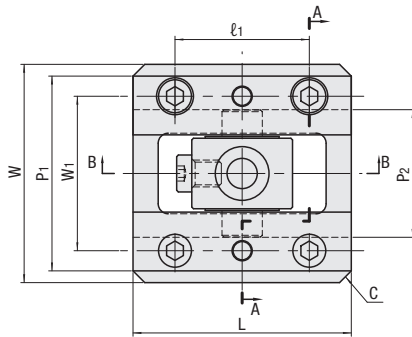


## ■ Features of Oil-free Slide Units for Loose Core

- Enables the inclined pin to slide smoothly when pushing out a loose core (including undercut) at an angle.
- The inclined pin holder slides within the range of  $\theta$ , and the automatic center adjustment function reduces wear and scoring the guide and slide plates.

Item	Parts Name	M	Piece
①	Slide Base		1
②	Upper Plate	S45C	2
③	Inclined Pin Holder		1
④	Slide Plate	High strength brass + Solid lubricant	2
⑤	Socket Head Screw	SK5M	1
⑥	Socket Head Screw	SS400	4

## C-SCKS



Part No.	① Slide base								② Upper Plate		③ Inclined pin holder				④ Slide plate		F	G	Mounting angle of slide plate A°	
	Type	D	W	L	H	H1	P1	P2	C	T	D1	a	h1	h2	a1	N				S
8	33	32	22			30	19	2	7	4.5	20	8	10	20	11	11	20	7	12.5	0
10	45	45	27	5		40	25	4	8	5.5	25	10	12.5	25	15	15	25	9	15.5	
12	57	50	32	7		51	31	4	10	7	30	12	15	25	17	16	30	11	18	
16	65	65	36	8		58	38	6	10	9	40	16	15	30	22	20	40	14.5	20	
20	80	80	42	11		72	44	8	12	11	50	20	16	40	26	22	50	18	23	
25	93	90	50			85	52	8	15	14	55	25	17	45	32	26	55	22.5	28	
30	101	100	55			93	60	8	15	14	60	30		50	38	30	60	27	30	
35	120	120	62	15		110	70	8	18	18	75	35	18	60	45	34	75	32	35	
40	130	135	70			120	80	8	18	18	85	40	19	70	55	44	85	36	40	
45	140	150	80			130	90	8	20	18	95	45	24	80	60	50	95	40	45	

Part No.	Mounting position of stopper											
	Type	D	d	l1	l2	W1	BM	K	E	E1	MJ	l (Depth)
8			7	20	10	24	M3	3	3.6	10.5	M4	8
10				30	18	32	M4	4	4.5	11.3	M5	9
12			10	35	20	39	M6	6	5		M6	10
16			12	40	25	46	M6	6	5		M8	12
20			14	55	30	56	M8	8			M10	16
25			16	65	35	66	M10	8	6			20
30			18	70	40	74	M10	8	7	9	M12	25
35			20	80	45	85	M12	10	8			30
40			25	90	50	95	M12	10	8			35
45			30	110	55	105	M12	10	10	14	M16	40



Order

Part No. — A°

C-SCKS20 — 0

•D≤30

•D≥35



Days to Ship

6 Days

Quotation



Price

Order / Quote:

WOS: <https://in.misumi-ec.com/>

TEL: +91-124-468-8800 E-mail: cs@misumi.co.in