

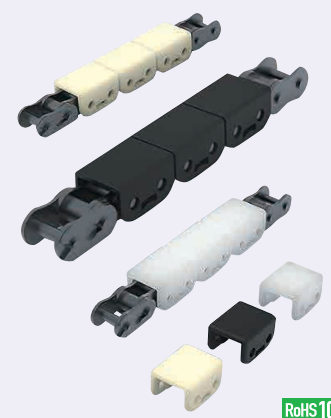
# Plastic Covered Chains

Registration of a design pending

Note that, for some of the types shown here, order might be unable to be received by the MISUMI Indonesia offices.

# Engineering Plastic Block Chains

■ **Features:** Metal chains with easy-mountable plastic covers. Has good allowable tension and suitable for accumulation conveyance of heavy objects.



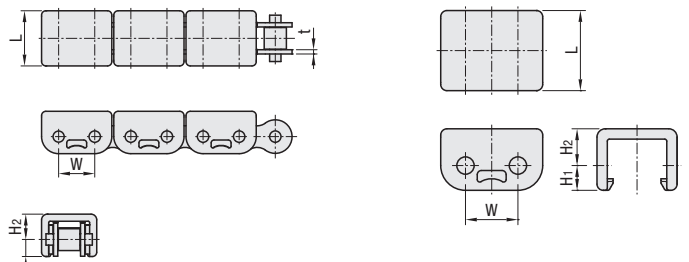
Part Number		Specification	Material	Color	Sliding Friction Coefficient f1	Operating Temp. (°C)
Set	Cover Only					
CHECV	CHETC	General Use	POM	White	0.14~0.18	-5~65
CHECVS	CHETCS	Extra Low Friction	POM + Lubricant	Cream	0.12~0.15	-5~65
CHECVC	CHETCC	Conductivity, Heat Resistant	POM + Glass Fiber	Black	0.20~0.24	-20~120
CHECVY	CHETCY	Chemical Resistant	Fluororesin	White	0.18~0.22	-20~80

■ **Set**

CHECV  
CHECVS  
CHECVC  
CHECVY

■ **Cover Only**

CHETC  
CHETCS  
CHETCC  
CHETCY



RoHS 10

■ **Allowable Tension and Reference Weight**

Nominal	Allowable Tension (kN)			Reference Weight (kg/m)		
	SS	SUS	M	SS	SUS	M
40	3.63	0.44	3.63	0.89	0.91	0.95
60	8.83	1.03	8.83	1.94	1.95	2.07

For Allowable Tension and Corrosion Resistance List, see P.1577

Part Number		Number of Links (Specifiable Unit : 2 Links)	L	W	H1	H2	Part Number		Number of Links (Specifiable Unit : 1 Link)	L	W	H1	H2
Type	Chain Type						Type	Chain Type					
Set CHECV CHECVS CHECVC CHECVY	40	20~1000	20.6	12.7	6	8.9	Cover Only CHETC CHETCS CHETCC CHETCY	40	20~1000	20.6	12.7	6	8.9
	60												

Specify links by even numbers. The last link is the Joint Link.

■ **Set (Metal Chains + Plastic Cover)**

Type	Nominal	Chain Type	Unit Price (Unit : 1 Link)											
			CHECV	CHECVS	CHECVC	CHECVY	CHETC	CHETCS	CHETCC	CHETCY	CHECV	CHECVS	CHECVC	CHECVY
Set CHECV CHECVS CHECVC CHECVY	40	SS (Steel) SUS (Stainless Steel) M (Lubrication-Free)	Chain Type : SS				Chain Type : SUS				Chain Type : OL			
	60													

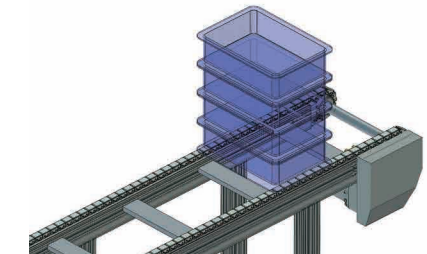
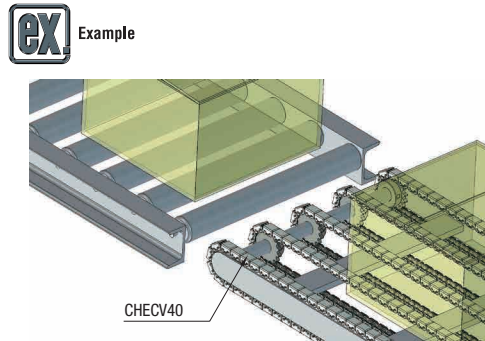
■ **Plastic Cover Only**

Type	Nominal	Number of Links (Specifiable Unit : 20 Links)	Chain Type	Unit Price (Unit : 20 Links)			
				CHETC	CHETCS	CHETCC	CHETCY
Cover Only CHETC CHETCS CHETCC CHETCY	40	20	(SS, SUS) Not Specified M M				
	60						


How to be delivered  
When the ordered number of links exceeds the given number of links per unit, the qty. of links per unit and the extra qty. of links are packaged separately.  
(Ex.) For CHECV40-300, 2 separate packages: 240 links x 1 unit + 60 links

Ordering Example

Part Number	-	Number of Links
CHECV40SS	-	474
CHETC60M	-	28



■ **Features:** Prevents chain oil attachment and workpiece scratches. For more economical and easy-mounting products, see P.1579

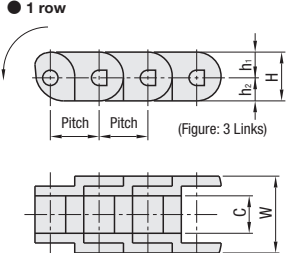


Part Number		Specification	Material	Color	Sliding Friction Coefficient f1	Operating Temp. (°C)
Standard	Standard					
CHEED	CHEED	General Use	POM	White	0.14~0.18	-5~65
CHEEL	CHEEL	Extra Low Friction	POM + Lubricant	Cream	0.12~0.15	-5~65
CHEEC	CHEEC	Conductive	POM + Glass Fiber	Black	0.20~0.24	-20~120
CHEEH	CHEEH	Heat Resistant	Nylon + Glass Fiber	Black	0.19~0.23	-20~150
CHEEY	CHEEY	Chemical Resistant	Fluororesin	White	0.18~0.22	-20~80

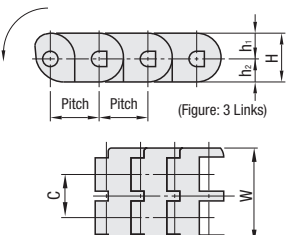
Standard

CHEED  
CHEEL  
CHEEC  
CHEEH  
CHEEY

● 1 row



● 2 Rows



Part Number CHEE is changed to CHEED40W.  
For Allowable Tension and Corrosion Resistance List, see P.1577

■ **Allowable Tension and Reference Weight**

Nominal	Allowable Tension (N)					Reference Weight (kg/m)
	CHEED	CHEEL	CHEEC	CHEEH	CHEEY	
40	440	390	470	560	400	0.36
40W	440	390	470	560	400	0.55
60	940	760	830	1,100	870	0.72

Part Number	Number of Links	Number of Rows	Pitch	C	W	H	h1	h2	Number of Links per Unit	
Standard CHEED CHEEL CHEEC CHEEH CHEEY	40	4~	1	12.7	7.95	20	12.7	6.7	6	240 (Circumference Length 3,048mm)
	40W	4~	2	12.7	14.4	32	12.7	6.4	6.3	240 (Circumference Length 3,048mm)
	60	4~	1	19.05	12.7	30	17.3	8.8	8.5	160 (Circumference Length 3,048mm)

Part Number	Number of Links	Unit Price (Unit : 1 Link)				
		CHEED	CHEEL	CHEEC	CHEEH	CHEEY
CHEED CHEEL CHEEC CHEEH CHEEY	40	4~				
	40W	4~				
	60	4~				

How to be delivered  
When the ordered number of links exceeds the given number of links per unit, the qty. of links per unit and the extra qty. of links are packaged separately.  
(Ex.) For CHEED40-300, 2 separate packages: 240 links x 1 unit + 60 links

Ordering Example

Part Number	-	Number of Links
CHEED40	-	200

