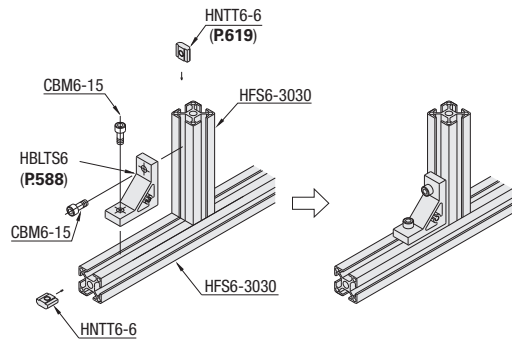


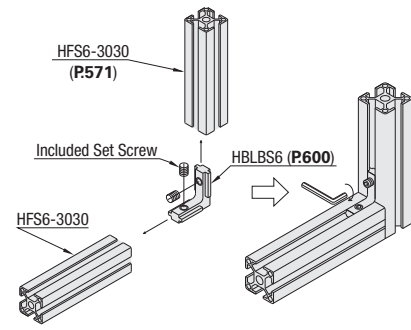
# Aluminum Extrusion Assembly Examples

## Example of Extrusion Connection

Connection with Thick Bracket

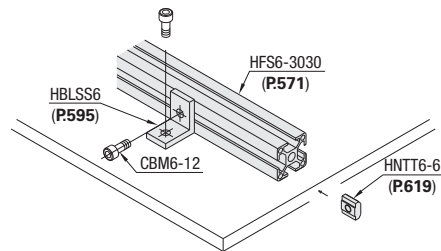


Blind Bracket Connections

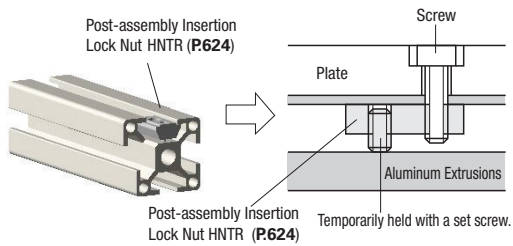


## Plate on Extrusion Mounting

Thin Bracket Connections

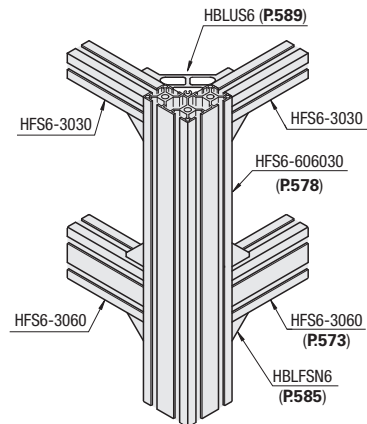


Post Assy. Ins. Locknut Connections

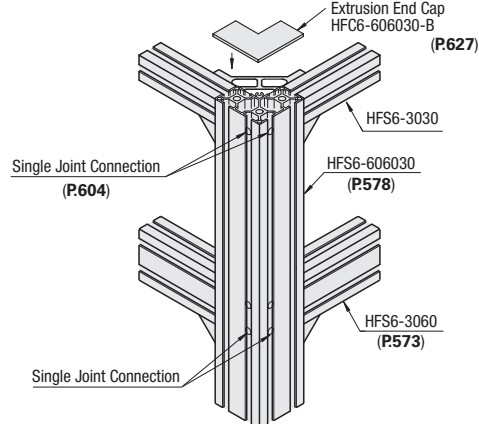


## L-Shaped Extrusions App. Example

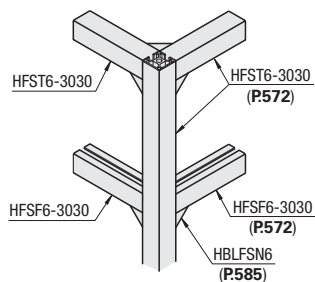
Bracket Connections



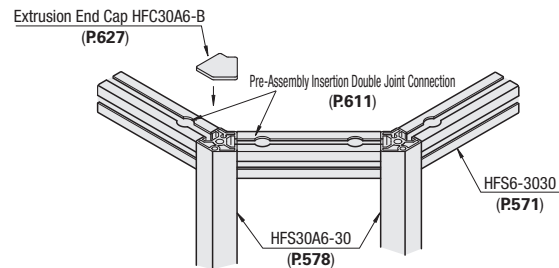
Single Joint Connections



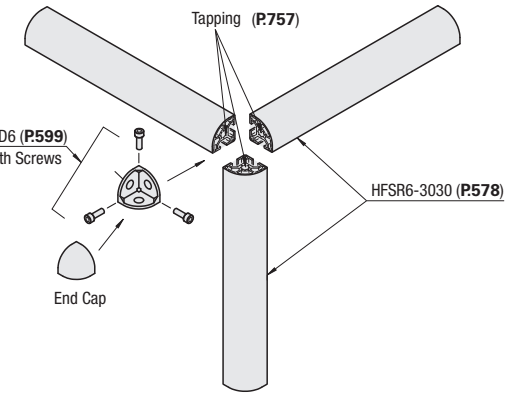
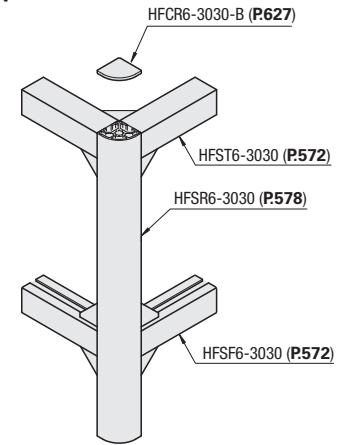
## 2 and 3 Smooth-Sided Extrusions App. Example



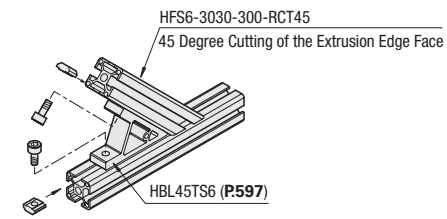
## Angled Extrusions App. Example



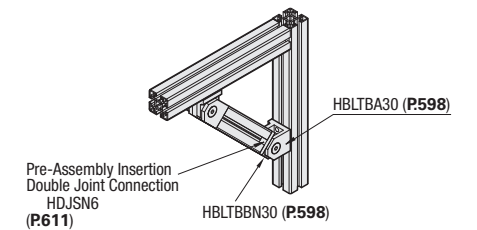
## App. Example: R Extrusion



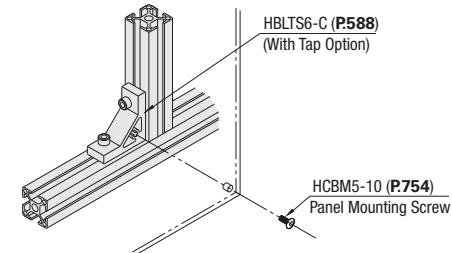
## Example: 45 Degree Angle Bracket



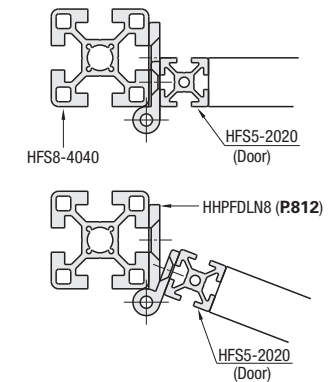
## App. Example: Free Angle Brackets



## Cover Mounting on the Bracket

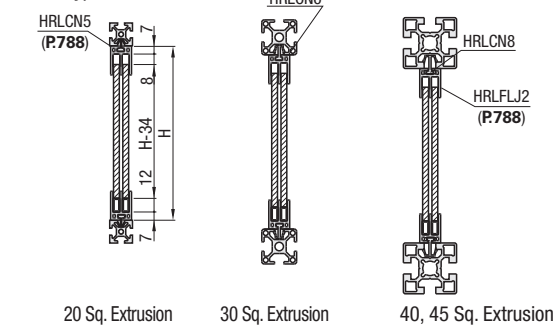


## Connecting Unequal Size Extrusions with Flag Hinges

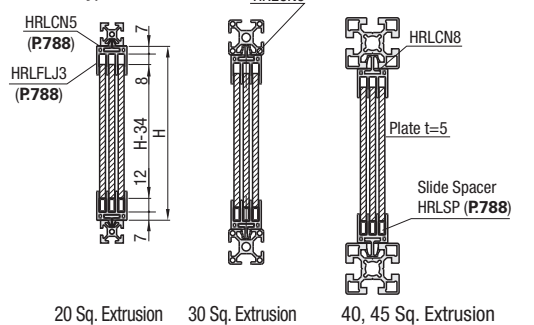


## Sliding Rail Mounting Dimensions

2 Slot Type



3 Slot Type



20 Sq. Extrusion 30 Sq. Extrusion 40, 45 Sq. Extrusion 20 Sq. Extrusion 30 Sq. Extrusion 40, 45 Sq. Extrusion