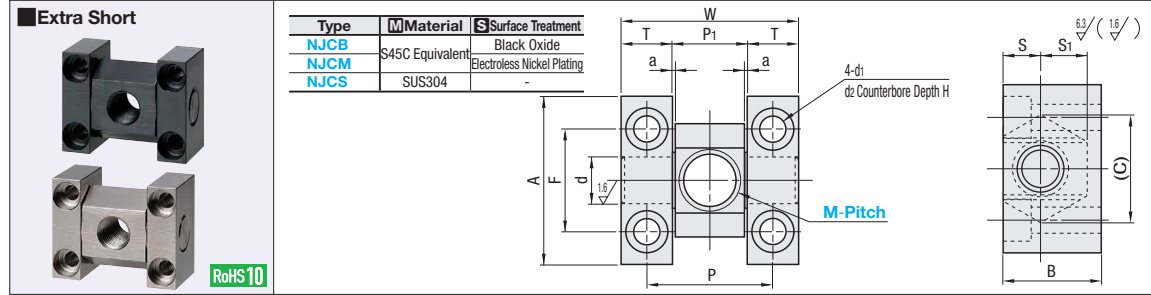


Knuckle Joints

Extra Short / Tool-Less

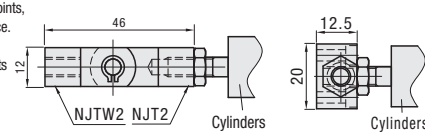
■ Features: Extra Short Type that can be used in a limited space is available.



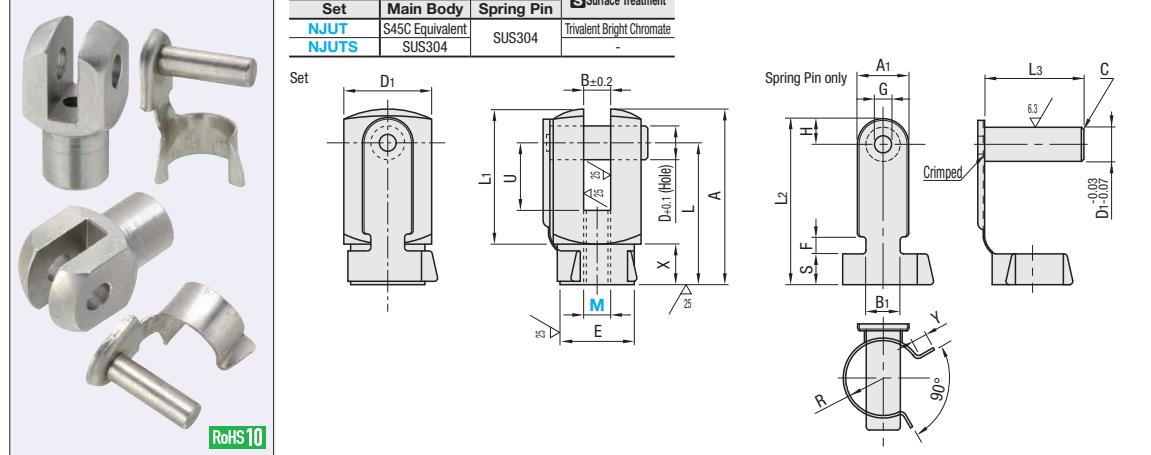
Part Number	Type	M-Pitch	A	B	d	F	W	P	T	P1	a	S	S1	(C)	d1	d2	H	Mass (g)	Unit Price		
																			NJCB	NJCM	NJCS
NJCB NJCM NJCS	3-0.5	18	10.5	5	11	19	13.5	5.5	8	0.3	4	5	11.6	2.8	4.5	3	21				
	4-0.7	19	11.5	5	12	20.5	15	7.5	9.5	0.3	4	5.5	12.7	3.5	6.5	3.5	26				
	5-0.8	20	12.5	6	13	22	16	8	10.5	0.3	5	6	13.9	4.5	8	4.5	36				
	6-1.0	24	17	8	16	27	20	9	13	0.3	7	8.5	19.6	5.5	9.5	5.5	82				
	8-1.0	30	20.5	10	20	38	29	9	20	0.3	8	10.5	24.3	6.5	10.5	6.5	139				
	10-1.25	36	25	12	24	44	34	10	24	0.3	10	12.5	28.9	8	12	8	230				
	14-1.5	42	28.5	14	28	52	40	12	28	0.3	11	14.5	33.5	9.5	13	9.5	365				
	16-1.5	48	33	16	32	60	46	14	32	0.3	13	16	37	11	14	11	542				
	18-1.5	54	36	18	36	68	52	16	36	0.3	14	18	41.6	12	15	12	764				

Ordering Example
Part Number
NJCS10-1.25
NJCB18-1.5

■ Features: Compared to the conventional knuckle joints, ① Suitable for use in a very limited space. ② Supporting shaft is incorporated. ③ A reduced number of component parts allows easy assembly.



■ Tool-Less

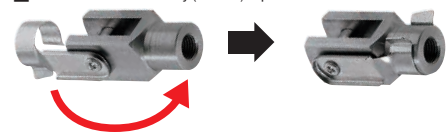


Part Number	Type	M	MxPitch	D±0.1	B±0.2	U	A	L	L1	D1	E	X	Unit Price		
													NJUT	NJUTS	
Set NJUT NJUTS	4	4	M4x0.7	4.2	4.3	6	21	16	13	11	8.5	8			
	5	5	M5x0.8	5.3	5.3	12	31	24	22	16	12.5	9			
	6	6	M6x1.0	6.8	6.8	20	52	42	38	26	21	14			
	8	8	M8x1.25	10.5	8.3	20	52	42	38	26	21	14			
	10	10	M10x1.25	10.3	10.3	20	52	42	38	26	21	14			

M Applicable to Set	D1	A1	B1	Y	L2	L3	H	F	G	S	R	C
4	4	9.5	5	3	18	13	4	3	3	6	4.5	1
5, 6	6.5	14	7	4	28	18	6	4	5	6	6.5	1.5
8, 10	10	20	10	6	48	28	8	4	6	10	11	2

Ordering Example
Part Number
NJUT6

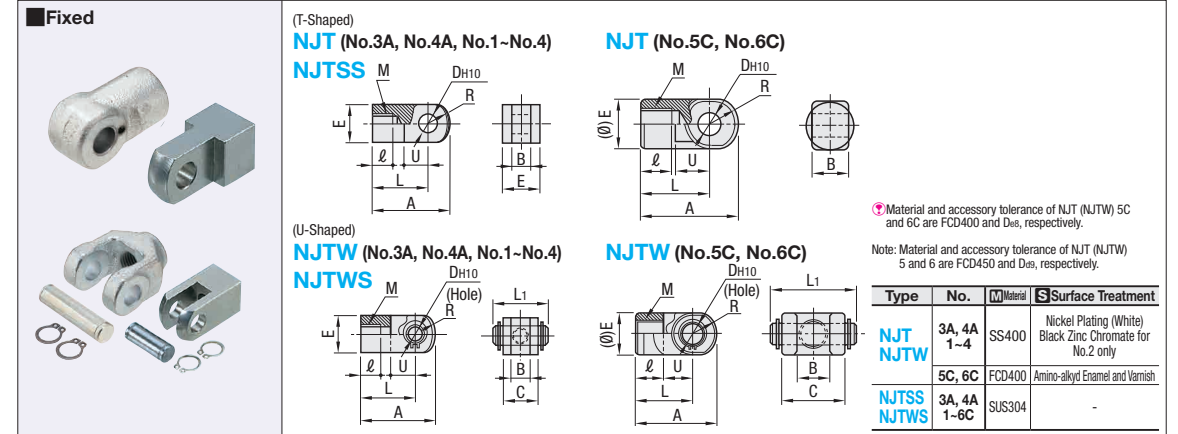
■ Features: Quick assembly (removal) is possible.



Knuckle Joints

Fixed / B Selectable

■ Features: T-Shaped/U-Shaped Fixed and Concave/Convex with B Dimension Selectable.



Part Number	Type	No.	A	ℓ	E	L	M	R	U	DH10	B Tolerance	Cylinder I.D. (mm)	Unit Price	
													NJT	NJTSS
NJTB NJTSS	3A	19	5	8	14	M3x0.5	5	5	4	4 +0.048/0	4	6		
	4A	19	5	8	14	M4x0.7	5	5	4	4 +0.048/0	4	10		
	1	21.5	6	10	16	M5x0.8	6.3	7	5	5 +0.048/0	5	12		
	2	32	8	12	25	M6x1	8.1	14	8	8 +0.058/0	8	16		
	3	34	8.5	16	25	M8x1.25	10.3	11.5	8	8 +0.058/0	8	20		
	4	41	10.5	20	30	M10x1.25	12.8	14	10	10 +0.058/0	10	25		
NJTW NJTWS	5C	42	14	22	30	M14x1.5	12	14	14	14 +0.070/0	14	32, 40		
	6C	56	18	28	40	M18x1.5	16	20	14	14 +0.070/0	14	50, 63		

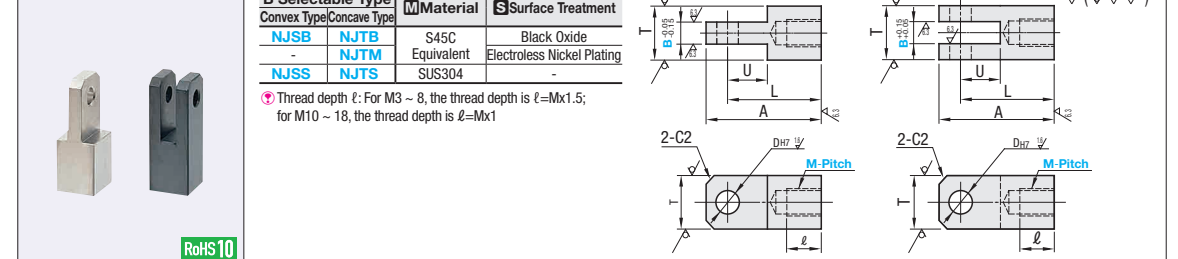
Ⓜ I.D. (mm) of an applicable cylinder is for a compact cylinder. In the selection, please also check M (diameter of a mounting screw).

Part Number	Type	No.	A	ℓ	E	L	M	R	U	DH10	B Tolerance	Cylinder I.D. (mm)	Unit Price	
													NJT	NJTWS
NJTB NJTSS	3A	19	5	8	14	M3x0.5	5	5	4	4 +0.048/0	4	6		
	4A	19	5	8	14	M4x0.7	5	5	4	4 +0.048/0	4	10		
	1	21.5	6	10	16	M5x0.8	6.3	7	5	5 +0.048/0	5	12		
	2	32	8	12	25	M6x1	8.1	14	8	8 +0.058/0	8	16		
	3	34	8.5	16	25	M8x1.25	10.3	11.5	8	8 +0.058/0	8	20		
	4	41	10.5	20	30	M10x1.25	12.8	14	10	10 +0.058/0	10	25		
NJTW NJTWS	5C	42	14	22	30	M14x1.5	12	14	14	14 +0.070/0	14	32, 40		
	6C	56	18	28	40	M18x1.5	16	20	14	14 +0.070/0	14	50, 63		

Ⓜ I.D. (mm) of an applicable cylinder is for a compact cylinder. In the selection, please also check M (diameter of a mounting screw).
* The knuckle joint pin and retaining ring (2 pcs.) are included in the package of NJT, NJTSS, NJTW and NJTWS.

Ordering Example
Part Number
NJTB2
NJTB3A
NJTB5C

■ B Selectable



Part Number	Type	M-Pitch	B Selection	DH7	U	A	L	T	Unit Price		
									Convex Type	Concave Type	
(Convex Type) NJTB NJTB	3-0.5	4, 5	4			26	20	10			
	4-0.7	5, 6									
	5-0.8	5, 6	5	10		31	25				
	6-1.0	4, 6									
	8-1.0	5, 8	8			43	35	16			
	8-1.25	5, 8									
(Concave Type) NJTB NJTB	10-1.25	6, 10	10	15				20			
	10-1.5	6, 10									
	12-1.25	8, 10				50	40	22			
	12-1.5	8, 10									
	14-1.5	10, 12	12			62	50	25			
	16-1.5	10, 12				67	55				
	18-1.5	12, 14			69		28				

Ordering Example
Part Number - B
NJTB5-0.8 - B6
NJTB8-1.25 - B5