


Knuckle Joints

Extra Short / Tool-Less

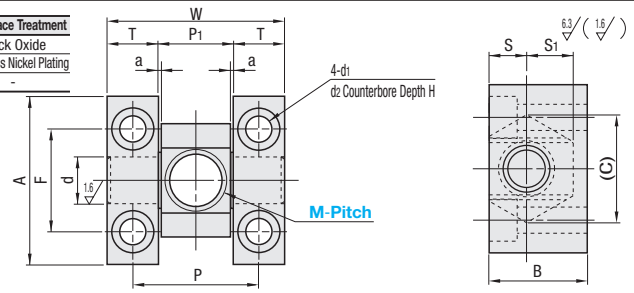
■ Features: Extra Short Type that can be used in a limited space is available.

Extra Short



RoHS

Type	Material	Surface Treatment
NJCB	S45C Equivalent	Black Oxide
NJCM	S45C Equivalent	Electroless Nickel Plating
NJCS	SUS304	-



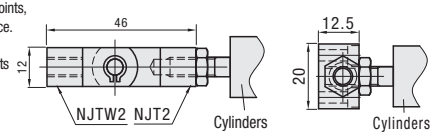
4-d1
dz Counterbore Depth H

M-Pitch


Part Number Type	M-Pitch	A	B	d	F	W	P	T	P1	a	S	S1	(C)	d1	d2	H	Mass (g)	Unit Price		
																		NJCB	NJCM	NJCS
NJCB NJCM NJCS	3-0.5	18	10.5	5	11	19	13.5	5.5	8	0.3	4	5	11.6	2.8	4.5	3	21			
	4-0.7	19	11.5		12	20.5	15					9.5	5.5							
	5-0.8	20	12.5	6	13	27	20	7	13		6	13.9	3.5	6.5	3.5	39				
	6-1.0	24			17	8	16	34	26		8	18					7			
	8-1.0	30	20.5	10	20	38	29	9	20		8	24.3	4.5	8	4.5	139				
	10-1.25	36	25	12	24	44	34	10	24		10	28.9								
	12-1.25	42	28.5	14	28	52	40	12	28		11	33.5	5.5	9.5	5.5	365				
	14-1.5	48	33	16	32	60	46	14	32		13	37								
	16-1.5	54	36	18	36	68	52	16	36		14	41.6	5.5	9.5	5.5	542				
	18-1.5																			

Ordering Example
Part Number
NJCS10-1.25
NJCB18-1.5

■ Features: Compared to the conventional knuckle joints, ① Suitable for use in a very limited space. ② Supporting shaft is incorporated. ③ A reduced number of component parts allows easy assembly.

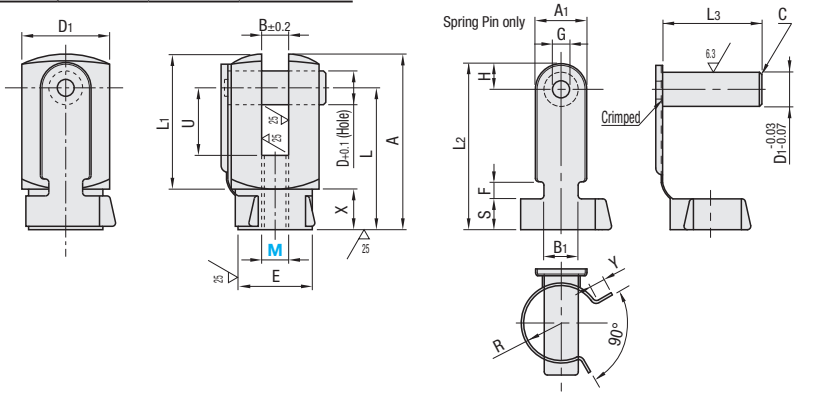


Tool-Less



RoHS

Type Set	Material Main Body	Material Spring Pin	Surface Treatment
NJUT	S45C Equivalent	SUS304	Trivalent Bright Chromate
NJUTS	SUS304	SUS304	-



Set

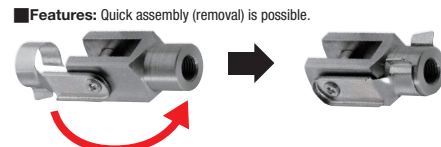
Spring Pin only

Crimped

Part Number Type	M	MxPitch	D±0.1	B±0.2	U	A	L	L1	D1	E	X	Unit Price Set	
												NJUT	NJUTS
Set NJUT NJUTS	4	M4x0.7	4.2	4.3	6	21	16	13	11	8.5	8		
	5	M5x0.8	6.8	5.3	12	31	24	22	16	12.5	9		
	6	M6x1.0	10.5	6.8	20	52	42	38	26	21	14		
	8	M8x1.25		8.3									
10	M10x1.25		10.3										

M Applicable to Set	D1 ±0.03 ±0.07	A1	B1	Y	L2	L3	H	F	G	S	R	C
4	4	9.5	5	3	18	13	4	3	3	6	4.5	1
5, 6	6.5	14	7	4	28	18	6	4	5	6	6.5	1.5
8, 10	10	20	10	6	48	28	8	4	6	10	11	2

Ordering Example
Part Number
NJUT6




■ Features: Quick assembly (removal) is possible.

Knuckle Joints

Fixed / B Selectable

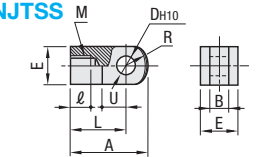
■ Features: T-Shaped/U-Shaped Fixed and Concave/Convex with B Dimension Selectable.

Fixed

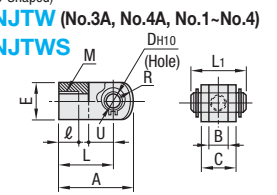


RoHS

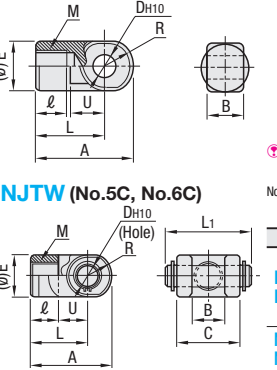
(T-Shaped)
NJT (No.3A, No.4A, No.1~No.4)
NJTSS



(U-Shaped)
NJTW (No.3A, No.4A, No.1~No.4)
NJTWS



NJT (No.5C, No.6C)
NJTW (No.5C, No.6C)



Material and accessory tolerance of NJT (NJTW) 5C and 6C are FCD400 and Dis, respectively.
Material and accessory tolerance of NJT (NJTW) 5 and 6 are FCD450 and Dis, respectively.

Type	No.	Material	Surface Treatment
NJT NJTW	3A, 4A 1~4	SS400	Nickel Plating (White) Black Zinc Chromate for No.2 only
NJTSS NJTWS	5C, 6C 3A, 4A 1~6C	FCD400 SUS304	Amino-alkyl Eramel and Varnish

Part Number Type	No.	A	ℓ	E	L	M	R	U	DH10	B Tolerance	Applicable Cylinder I.D. (mm)	Unit Price	
												NJT	NJTSS
NJT NJTSS	3A	19	5	8	14	M3x0.5	5	5	4 +0.048 0	4	6		
	4A	19	5	8	14	M4x0.7	5	5	4 +0.048 0	4	10		
	1	21.5	6	10	16	M5x0.8	6.3	7	5 +0.048 0	5	12		
	2	32	8	12	25	M6x1	8.1	14	6.4 +0.048 0	6.4	16		
	3	34	8.5	16	25	M8x1.25	10.3	11.5	8 +0.058 0	8	20		
	4	41	10.5	20	30	M10x1.25	12.8	14	10 +0.058 0	10	25		
5C	42	14	22	30	M14x1.5	12	14	10 +0.058 0	18	32, 40			
6C	56	18	28	40	M18x1.5	16	20	14 +0.070 0	22	50, 63			


⊕ I.D. (mm) of an applicable cylinder is for a compact cylinder. In the selection, please also check M (diameter of a mounting screw).

Part Number Type	No.	A	ℓ	E	L	M	R	U	DH10	B Tolerance	C	L1	Applicable Cylinder I.D. (mm)	Unit Price	
														NJT	NJTWS
NJTW NJTWS	3A	19	5	8	14	M3x0.5	5	5	4 +0.048 0	4	8	12	6		
	4A	19	5	8	14	M4x0.7	5	5	4 +0.048 0	4	8	12	10		
	1	21.5	6	10	16	M5x0.8	6.3	7	5 +0.048 0	5	10	14.6	12		
	2	28	11	12	21	M6x1	8.1	10	6.5 +0.048 0	6.5	12	16.6	16		
	3	34	8.5	16	25	M8x1.25	10.3	11.5	8 +0.058 0	8	16	21	20		
	4	41	10.5	20	30	M10x1.25	12.8	14	10 +0.058 0	10	20	25.6	25		
5C	42	16	22	30	M14x1.5	12	14	10 +0.058 0	18	36	41.6	32, 40			
6C	56	20	28	40	M18x1.5	16	20	14 +0.070 0	22	50.6	50.6	50, 63			

⊕ I.D. (mm) of an applicable cylinder is for a compact cylinder. In the selection, please also check M (diameter of a mounting screw).
* The knuckle joint pin and retaining ring (2 pcs.) are included in the package of NJT, NJTSS, NJTW and NJTWS.

Ordering Example
Part Number
NJT2
NJT3A
NJTW5C

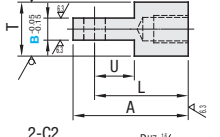
B Selectable



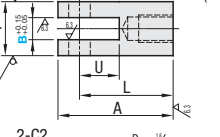
RoHS

B Selectable Type Convex Type/Concave Type	Material	Surface Treatment
NJSS NJTS	SUS304	Electroless Nickel Plating

Convex Type



Concave Type



Part Number Type	M-Pitch	B Selection	DH7	U	A	L	T	Unit Price		
								Convex Type NJSB NJSS	Concave Type NJTB NJTS	
(Convex Type) NJSB NJSS	3-0.5	4, 5	4	10	26	20	10			
	4-0.7	5, 6								
	5-0.8	6, 7								
	6-1.0	8, 9								
	8-1.0	10, 11								
	8-1.25	12, 13								
(Concave Type) NJTB NJTM NJTS	10-1.25	6, 10	10	15	43	35	16			
	10-1.5	12, 15								
	12-1.25	14, 18								
	12-1.5	16, 20								
	14-1.5	20, 24								
	16-1.5	24, 28								

Ordering Example
Part Number - B
NJSB5-0.8 - B6
NJTS8-1.25 - B5