


Cast Frame Casters

Standard / Trailered Use

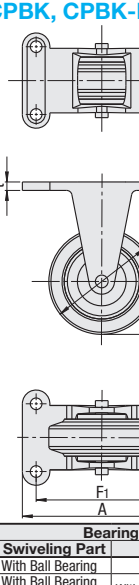
Cast Frame Casters

Heavy Load

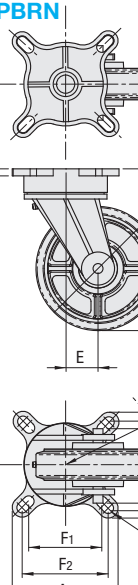
Swivel
CPBR, CPBR-B

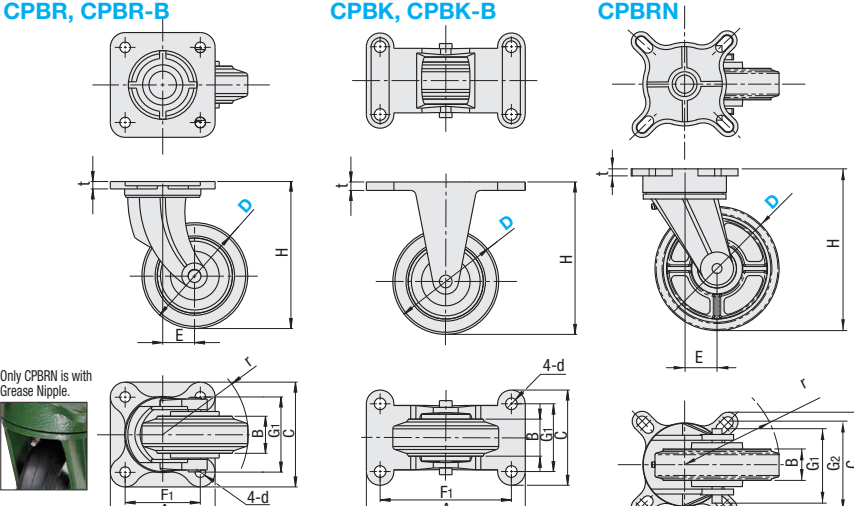


Fixed
CPBK, CPBK-B



Trailered Use
CPBRN





Only CPBRN is with Grease Nipple.

Type	Main Body Material	Wheel Material (Color)	Bearing Swiveling Part	Wheel
CPBR, CPBK	FCD450 (Paint)	Synthetic Rubber (Black), Urethane (Red), Iron: FCD450 (Green)	With Ball Bearing	None
CPBR-B, CPBK-B	FCD450 (Paint)	Synthetic Rubber (Black), Urethane (Red), Iron: FCD450 (Green)	With Ball Bearing	With Radial Bearing
CPBRN	FCD450 (Paint)	Synthetic Rubber (Black), Urethane (Red), Iron: FCD450 (Green)	Thrust and Radial Bearing	With Radial Bearing

Main Body	Part Number	Type	D	Wheel Material	B (Wheel Width)		H	A	C	F1	F2	G1	G2	d	t	E	r	Allowable Load (N)			Mass (g)		
					R	U												Z	R	U	Z		
Swivel	CPBR (Without Bearing) CPBR-B (With Bearing)	R (Rubber) U (Urethane) Z (Casting)	75	R (Rubber) U (Urethane) Z (Casting)	32	30	112.5	91	91	65	65	71	11	7	25	70	700	1400	1400	1150	1300	1350	
			100		35	33	144	99	99	71	8	30	85	1000	2100	1900	1650	1750	1850				
			125		38	36	175	110	110	80	8	35	105	1500	2800	2800	2950	3050	3250				
			150		40	38	198	120	120	90	10	40	120	1800	3500	3500	3650	3750	4050				
			200		44	42	250	148	148	112	12	50	155	2200	4900	4900	5300	5700	6200				
Fixed	CPBK (Without Bearing) CPBK-B (With Bearing)	R (Rubber) U (Urethane) Z (Casting)	75	R (Rubber) U (Urethane) Z (Casting)	32	30	112.5	95	57	75	-	-	-	11	8	25	70	700	1400	1400	850	1000	1050
			100		35	33	144	105	70	80	8	30	85	1000	2100	1900	1450	1550	1650				
			125		38	36	175	125	81	100	9	35	105	1500	2800	2300	2400	2600					
			150		40	38	198	130	86	110	10	40	120	1800	3500	3500	2900	3000	3300				
			200		44	42	250	142	93	112	12	50	155	2200	4900	4900	4100	4500	5000				
Trailered Use, Swivel	CPBRN (With Thrust Bearing)	R (Rubber) U (Urethane) Z (Casting)	100	R (Rubber) U (Urethane) Z (Casting)	35	33	140	112	112	71	90	71	90	10	8	35	85	1000	2100	1900	2280	2650	2750
			150		40	38	195	129	90	105	90	105	12	45	120	1800	3500	3500	4290	4900	5400		
			200		44	42	250	146	112	120	112	120	12	55	155	2200	4900	4900	6510	7300	7800		
			250		48	46	300	176	116	134	144	134	144	15	65	190	3000	6500	6500	11000	12300	12400	
			300		50	48	350	204	160	160	160	160	16	75	220	3500	8300	8300	11600	13900	13000		

Ordering Example	Part Number	-	Wheel Material
	CPBR100	-	R
	CPBK-B150	-	Z

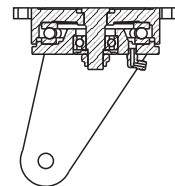
Rotational Torque

D	Rotational Torque (N)		Test Load (N)
	CPBR (Standard Type)	CPBRN (Trailered Use Type)	
100	186	146	1000
150	318	212	1800
200	329	228	2200
250	554	422	3000

Above values are for reference only.



<Test Overview>



<Structure of Thrust Bearing>

As opposed to the standard casters with a simplified structure with ball bearings in grooves, the Trailered Use Type has preloading thrust bearings for better swiveling characteristics, and can be towed by powered tractor devices.

Features

Compared with iron casters, it is excellent in durability and it can be used to move heavy objects in severe conditions.


Operating Environment

- Washing with water or soaking in seawater may result in early oxidation and corrosion.
- Exposure to acid, salt, alkali and other chemicals or oil may cause deterioration.
- Please use within the temperature ranges between -5 and 60°C.

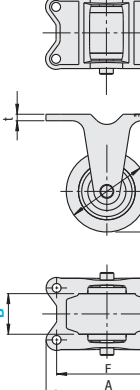
Caution

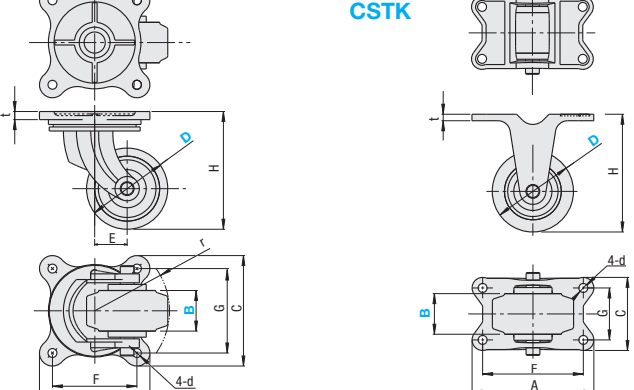
- A maximum load cannot be sustained if a road surface is severely uneven.
- Avoid traction by a motor power (except for the trailered use type).
- A caster should be fastened firmly to prevent rattling.
- Ex.) When thread diameter is M12, the proper torque is 220 ~ 500Kgf/cm.
- Load must be applied vertically to a caster.

Swivel
CSTBR



Fixed
CSTK





Type	Main Body Material	Wheel Material (Color)	Bearing Swiveling Part	Wheel
CSTBR / CSTK	FCD450 (Paint)	Synthetic Rubber (Black), Urethane (Red), Iron: FCD450 (Green)	With Ball Bearing	With Radial Bearing

Swivel

Part Number	D	Wheel Material	B (Wheel Width)			H	A	C	F	G	d	t	E	r	Mass (g)		
			R	U	Z										R	U	Z
CSTBR	100	R (Rubber) U (Urethane) Z (Casting)	50	65	50	145	136	136	104	104	11	10	40	94	4400	3950	-
	125		50	65	75	178	142	142	110	110	14	11	45	110	6300	6200	6850
	150		50	65	75	205	161	161	125	125	14	11	50	129	7400	7550	8900
	200		50	65	75	260	172	172	136	136	15	13	60	164	11800	15100	-
	250		65	75	90	315	195	195	155	155	16	14	65	194	17050	17850	-
	300		75	90	100	365 (360)	210 (212)	210 (212)	170	170	16	14	75 (70)	228	26500	29000	33900

When B (width of wheel) is 100, then 360. When B (width of wheel) is 100, then 212. When B (width of wheel) is 100, then 70.

Fixed

Part Number	D	Wheel Material	B (Wheel Width)			H	Mounting Dimensions												d	t	Mass (g)										
			R	U	Z		A	C	F	G	A	C	F	G	A	C	F	G			R	U	Z								
CSTK	100	R (Rubber) U (Urethane) Z (Casting)	50	50	-	145	150	99	124	64	150	99	124	64	-	-	-	-	-	-	-	-	-	-	8	3450	2900	-			
			65	-	-		150	103	125	78	-	-	-	-	-	-	-	-	-	-	-	-	-	-	9	4950	-	5500			
			50	50	50		166	90	140	64	166	90	140	64	166	90	140	64	-	-	-	-	-	-	-	-	-	-	-		
			65	-	65		165	104	140	78	-	-	-	-	165	104	140	78	-	-	-	-	-	-	-	-	-	-	-		
			50	50	50		188	98	152	64	188	98	152	64	188	98	152	64	-	-	-	-	-	-	-	-	-	-	-	-	
			65	65	65		188	113	152	78	188	113	152	78	188	113	152	78	-	-	-	-	-	-	-	-	-	-	-	-	
	150		150	R (Rubber) U (Urethane) Z (Casting)	75	75	75	205	188	121	152	86	188	121	152	86	188	121	152	86	-	-	-	-	-	-	-	-	-	-	
					50	50	-		209	99	174	64	209	99	174	64	-	-	-	-	-	-	-	-	-	-	-	-	-	-	
					65	65	-		209	115	174	78	209	115	174	78	-	-	-	-	-	-	-	-	-	-	-	-	-	-	-
					75	75	75		209	136	174	100	209	136	174	100	-	-	-	-	-	-	-	-	-	-	-	-	-	-	-
					50	50	-		209	120	174	86	209	120	174	86	209	120	174	86	-	-	-	-	-	-	-	-	-	-	-
					65	65	65		220	114	184	78	220	114	184	78	220	114	184	78	-	-	-	-	-	-	-	-	-	-	-
200	200	R (Rubber) U (Urethane) Z (Casting)	65		65	-	260	220	122	184	86	220	122	184	86	220	122	184	86	-	-	-	-	-	-	-	-	-	-		
			75		75	75		209	136	174	100	209	136	174	100	-	-	-	-	-	-	-	-	-	-	-	-	-			
			50		50	-		220	114	184	78	220	114	184	78	220	114	184	78	-	-	-	-	-	-	-	-	-	-		
			65		65	-		220	128	184	102	220	128	184	102	-	-	-	-	-	-	-	-	-	-	-	-	-	-		
			75		75	75		230	123	194	86	230	123	194	86	230	123	194	86	-	-	-	-	-	-	-	-	-	-		
			90		90	-		230	138	194	102	230	138	194	102	-	-	-	-	-	-	-	-	-	-	-	-	-	-		
250	250		R (Rubber) U (Urethane) Z (Casting)	90	90	-	315	230	138	194	102	230	138	194	102	-	-	-	-	-	-	-	-	-	-	-	-	-			
				65	65	65		232	192	192	151	232	192	192	151	-	-	-	-	-	-	-	-	-	-	-	-				
				75	75	75		232	192	192	151	232	192	192	151	-	-	-	-	-	-	-	-	-	-	-	-	-			
				50	50	-		232	192	192	151	232	192	192	151	-	-	-	-	-	-	-	-	-	-	-	-	-			
				65	65	-		232	192	192	151	232	192	192	151	-	-	-	-	-	-	-	-	-	-	-	-	-			
				100	100	-		232	192	192	151	232	192	192	151	-	-	-	-	-	-	-	-	-	-	-	-	-			

When B (width of wheel) is 100, then 360.

Ordering Example	Part Number	-	Wheel Material	-	Width
	CSTBR125	-	R	-	50
	CSTK200	-	U	-	75

Main Body	Part
-----------	------