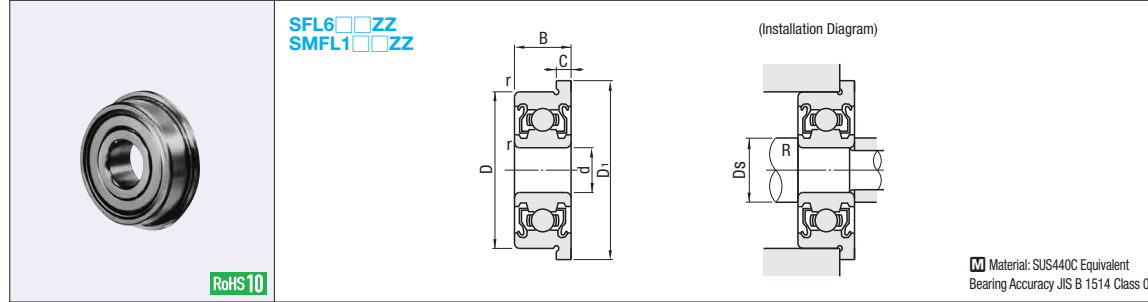


Small Stainless Steel Deep Groove Ball Bearings with Flange Double Shielded

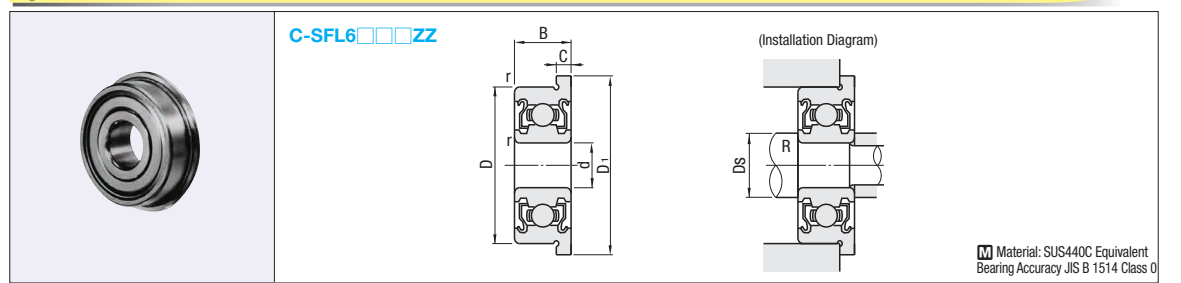
Note that, for some of the types shown here, order might be unable to be received by the MISUMI Indonesia offices.

MISUMI C-VALUE [Medium Accuracy] Small Stainless Steel Deep Groove Ball Bearings with Flange Double Shielded

This product can be used even when high rotation speed and high rotational accuracy are required. See P.1000 for the C-VALUE Product of this item.



Similar Products Comparison Points | Products designed for light load, intermediate and low rotation speed, and medium rotational accuracy applications. See P.987 for the description of C-VALUE Products.



Part Number	d	D	B	D1	C	r (min)	Basic Load Rating		Allowable Rotational Speed rpm (Reference)	Relative Dimensions		Mass (g) (Reference)	Unit Price
							Cr (Dynamic) N	Cor (Static) N		Ds (min)	R (max)		
SFL682ZZ	2	5	2.3	6.1	0.6	0.08	143	40	85000	2.7	0.08	0.22	
SFL692ZZ		6	3.0	7.5	0.8	0.15	281	79	75000	3.0	0.15	0.48	
SFL602ZZ	2.5	7	3.5	8.5	0.9	0.15	328	102	60000	3.2	0.15	0.71	
SFL682AZZ		6	2.6	7.1	0.8	0.08	178	59	71000	3.7	0.08	0.36	
SFL692AZZ	2.5	7	3.5	8.5	0.9	0.15	328	102	63000	3.85	0.15	0.68	
SFL673ZZ		6	2.5	7.2	0.6	0.1	177	59	71000	3.6	0.08	0.33	
SFL683ZZ	3	7	3	8.1	0.8	0.1	331	104	63000	3.9	0.1	0.53	
SFL693ZZ		8	4	9.5	0.9	0.15	474	144	60000			0.97	
SFL603ZZ	3	9	5	10.5	1	0.15	485	151	56000	4.2	0.15	1.63	
SFL623ZZ		10	4	11.5	1	0.15	536	175	50000			1.86	
SFL674ZZ	4	7	2.5	8.2	0.6	0.1	217	86	60000	4.6	0.08	0.35	
SFL684ZZ		9	10.3	1	0.15	544	179	53000	5.0	0.1	1.14		
SFL694ZZ	4	11	4	12.5	1	0.15	545	182	48000	5.2	0.15	1.96	
SFL604ZZ		12	13.5	1	0.2	813	276	48000			2.53		
SFL624ZZ	4	13	5	15	1	0.2	1105	388	40000	5.6	0.2	3.53	
SFL675ZZ		8	2.5	9.2	0.6	0.08	185	72	53000	0.08	0.41		
SFL685ZZ	5	11	5	12.5	1	0.15	607	225	45000	6.2	0.15	2.18	
SFL695ZZ		13	4	15	0.2	915	344	43000	6.6	0.2	2.84		
SFL605ZZ	5	14	5	16	1	0.2	1105	404	40000			3.85	
SFL625ZZ		16	5	18	0.3	1469	536	36000	7.7	0.3	5.3		
SFL676ZZ	6	10	3	11.2	0.6	0.1	421	174	45000	6.6	0.1	0.77	
SFL686ZZ		13	5	15	1.1	0.15	918	352	40000	7.0	0.15	3.04	
SFL696ZZ	6	15	5	17	1.2	0.2	1139	418		7.6	0.2	4.26	
SFL606ZZ		17	6	19	0.3	1921	668	38000	8	0.3	6.61		
SFL626ZZ	6	19	6	22	1.5	0.3	1985	708	32000			9.09	
SFL678ZZ		12	3.5	13.6	0.8	0.1	462	219	40000	8.8	0.1	1.15	
SFL688ZZ	8	16	5	18	1.1	0.2	1368	568	36000	9.6	0.2	4.47	
SFL698ZZ		19	6	22	1.5	0.3	1901	728		10	0.3	8.3	
SFL608ZZ	8	22	7	25	1.5	0.3	2799	1103	34000			13	
SFL6700ZZ		15	4	16.5	0.8	0.15	684	348	15000	10.3	0.15	2.1	
SFL6800ZZ	10	19	5	21	1	0.3	1459	672	37000	12	0.3	6.1	
SFL6900ZZ		22	6	25	1.5	0.3	2156	1018	34000	13.2	0.3	11.1	
SFL6701ZZ	12	18	4	19.5	0.8	0.2	787	424	13000	12.4	0.2	3.4	
SFL6901ZZ		24	6	26.5	1.5	0.3	2453	1173	31000	14	0.3	13.2	
SFL6702ZZ	12	21	4	22.5	0.8	0.2	796	466	11000	15.4	0.2	3.9	
SFL6802ZZ		24	5	26	1.1	0.3	1762	1002	28000			8.3	
SFL6902ZZ	15	28	7	30.5	1.5	0.3	3672	1807	26000	17	0.3	19.9	

Part Number	d	D	B	D1	C	r (min)	Basic Load Rating		Allowable Rotational Speed rpm (Reference)	Relative Dimensions		Mass (g) (Reference)	Unit Price
							Cr (Dynamic) N	Cor (Static) N		Ds (min)	R (max)		
C-SFL682ZZ	2	5	2.3	6.1	0.6	0.08	100	28	85000	2.7	0.08	0.22	
C-SFL692ZZ		6	3	7.5	0.8	0.15	197	55	75000	3	0.15	0.48	
C-SFL602ZZ	2.5	7	3.5	8.5	0.9	0.15	230	71	60000	3.2	0.15	0.71	
C-SFL682AZZ		6	2.6	7.1	0.8	0.08	125	41	71000	3.7	0.08	0.36	
C-SFL692AZZ	2.5	7	3.5	8.5	0.9	0.15	230	71	63000	3.85	0.15	0.68	
C-SFL673ZZ		6	2.5	7.2	0.6	0.1	124	41	71000	3.6	0.08	0.33	
C-SFL683ZZ	3	7	3	8.1	0.8	0.1	232	73	63000	3.9	0.1	0.53	
C-SFL693ZZ		8	4	9.5	0.9	0.15	332	101	60000			0.97	
C-SFL603ZZ	3	9	5	10.5	1	0.15	340	106	56000	4.2	0.15	1.63	
C-SFL623ZZ		10	4	11.5	1	0.15	375	123	50000			1.86	
C-SFL674ZZ	4	7	2.5	8.2	0.6	0.1	152	60	60000	4.6	0.08	0.35	
C-SFL684ZZ		9	10.3	1	0.15	381	125	53000	5	0.1	1.14		
C-SFL694ZZ	4	11	4	12.5	1	0.15	382	127	48000	5.2	0.15	1.96	
C-SFL604ZZ		12	13.5	1	0.2	569	193	48000			2.53		
C-SFL624ZZ	4	13	5	15	1	0.2	774	272	40000	5.6	0.2	3.53	
C-SFL675ZZ		8	2.5	9.2	0.6	0.08	130	50	53000	0.08	0.41		
C-SFL685ZZ	5	11	5	12.5	1	0.15	425	158	45000	6.2	0.15	2.18	
C-SFL695ZZ		13	4	15	0.2	641	241	43000	6.6	0.2	2.84		
C-SFL605ZZ	5	14	5	16	1	0.2	774	283	40000			3.85	
C-SFL625ZZ		16	5	18	0.3	1,028	375	36000	7.7	0.3	5.3		
C-SFL676ZZ	6	10	3	11.2	0.6	0.1	295	122	45000	6.6	0.1	0.77	
C-SFL686ZZ		13	5	15	1.1	0.15	643	246	40000	7	0.15	3.04	
C-SFL696ZZ	6	15	5	17	1.2	0.2	797	293	40000	7.6	0.2	4.26	
C-SFL606ZZ		17	6	19	0.3	1,345	468	38000	8	0.3	6.61		
C-SFL626ZZ	6	19	6	22	1.5	0.3	1,390	496	32000			9.09	
C-SFL678ZZ		12	3.5	13.6	0.8	0.1	323	153	40000	8.8	0.1	1.15	
C-SFL688ZZ	8	16	5	18	1.1	0.2	958	398	36000	9.6	0.2	4.47	
C-SFL698ZZ		19	6	22	1.5	0.3	1,331	510	36000	10	0.3	8.3	
C-SFL608ZZ	8	22	7	25	1.5	0.3	1,959	772	34000			13	
C-SFL6700ZZ		15	4	16.5	0.8	0.15	479	244	15000	10.3	0.15	2.1	
C-SFL6800ZZ	10	19	5	21	1	0.3	1,021	470	37000	12	0.3	6.1	
C-SFL6900ZZ		22	6	25	1.5	0.3	1,509	713	34000	13.2	0.3	11.1	
C-SFL6701ZZ	12	18	4	19.5	0.8	0.2	551	297	13000	12.4	0.2	3.4	
C-SFL6901ZZ		24	6	26.5	1.5	0.3	1,717	821	31000	14	0.3	13.2	
C-SFL6702ZZ	12	21	4	22.5	0.8	0.2	557	326	11000	15.4	0.2	3.9	
C-SFL6802ZZ		24	5	26	1.1	0.3	1,233	701	28000			8.3	
C-SFL6902ZZ	15	28	7	30.5	1.5	0.3	2,570	1,265	26000	17	0.3	19.9	

Non-Standard Size

Part Number	d	D	B	D1	C	r (min)	Basic Load Rating		Allowable Rotational Speed rpm (Reference)	Relative Dimensions		Mass (g) (Reference)	Unit Price
							Cr (Dynamic) N	Cor (Static) N		Ds (min)	R (max)		
SMFL104ZZ	4	10	4	11.6	0.8	0.15	604	216	50000	5.9	0.2	1.5	
SMFL105ZZ	5						366	135		6	1.38		
SMFL126ZZ	6						608	234		7.2	1.86		
SMFL148ZZ	8						694	308		9.26	2.42		

C-VALUE Products Check Point ②

I.D. d (mm)	Clearance of MISUMI Similar Products (μm)	Clearance of C-VALUE Products (μm)	
		Min.	Max.
over 10 only	2	13	18
10	3	18	23
18	5	20	25
24	5	20	25

Precautions for Use of C-VALUE Products

This product is C-VALUE Product. For detailed description of C-VALUE Products, See P.987. For similar products of this product, see the left page.

- This is a product designed exclusively for light load, intermediate and low rotation speeds, and medium rotational accuracy applications.
- Be sure to read the C-VALUE Products Check Point ① and ② before using this product.
- The internal clearance and the load rating of this product are different from that of normal similar products.
- Do not use in areas with heavy load, high speed, or that requires high rotational accuracy.

Ordering Example
Part Number
SFL606ZZ
SFL6702ZZ

Ordering Example
Part Number
C-SFL673ZZ

kgf=Nx0.101972

kgf=Nx0.101972