

# Bearings with Housings

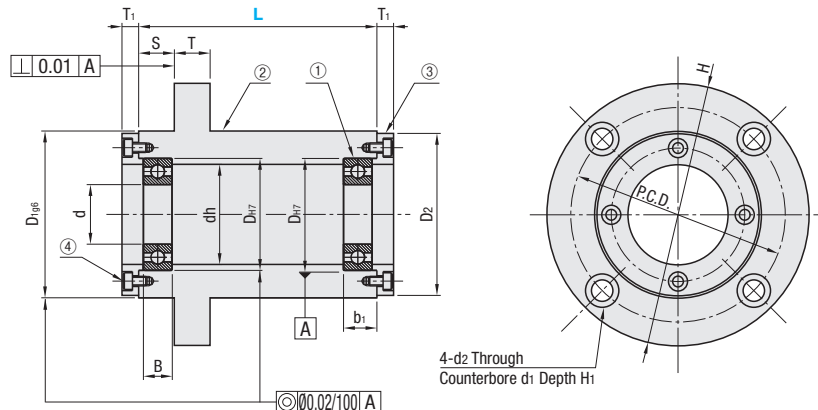
Outer Ring Captured, Pilot

# Bearings with Housings

Outer Ring Captured, T-Shaped



Type	① Bearing	② Housing	③ Outer Ring Cover	④ Outer Ring Cover Mounting Screw	
	M Material	M Material	S Surface Treatment	M Material	S Surface Treatment
<b>GBGYB</b>	SUJ2	S45C Equivalent	Black Oxide	SCM435	Black Oxide
<b>GBGY</b>			Electroless Nickel Plating	SUS304	-



4-d2 Through Counterbore d1 Depth H

Bearing Accuracy: JIS B 1514 Class 0

Type	Bearing No.	L Selection	S	d	Dh7	Tolerance	B	b1	H	D2	T	dh	D196	Tolerance	P.C.D.	d1	d2	H1	T1
<b>GBGYB</b> (Black Oxide)	6902ZZ	40 60 80	10	15	28	+0.021 0	7	9	70	43	12	25	45	-0.009 -0.025	57	11	6.6	6.5	6
	6002ZZ	50 70 90			32	+0.025 0	9	11	75	48		28	50		62				
	6903ZZ	50 70 90		30	+0.021 0	7	9	70	43	27	45	57							
	6003ZZ	60 80 100		35		10	12	75	48	31	50	62							
<b>GBGY</b> (Electroless Nickel Plating)	6904ZZ	60 80 100	15	20	37	+0.025 0	9	11	87	53	15	34	55	-0.010 -0.029	70	14	9	8.5	7
	6004ZZ	70 100			42		12	14	92	58		36	60		75				
	6005ZZ	70 100		25	47		12	14	98	63	41	65	80						
	6006ZZ	70 100		30	55		13	15	120	78	48	80	100						
	6007ZZ	80 100		35	62		14	16	126	84	55	86	106						
	6008ZZ	80 100		40	68		15	17	140	92	60	95	116						

Ordering Example: **Part Number** [Type] [Bearing] - [L]  
**GBGYB** 6005ZZ - 70

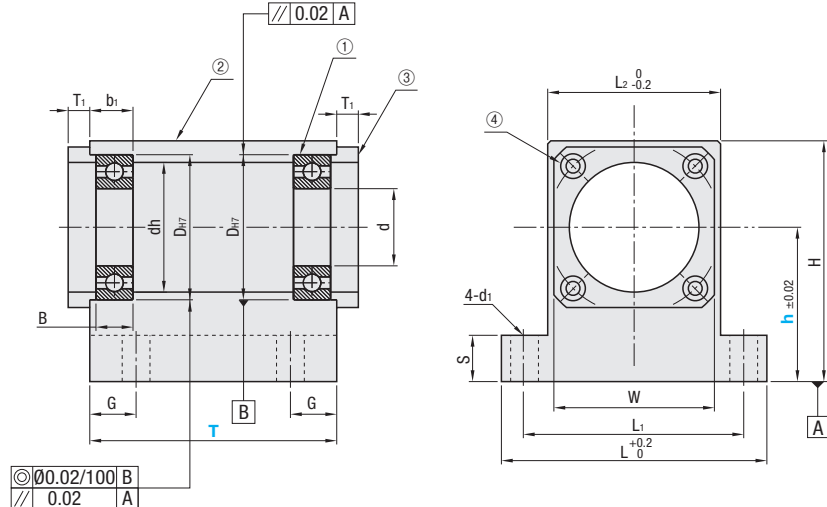
Bearing No.	L	GBGYB		GBGY	
		Unit Price	Volume Discount Rate	Unit Price	Volume Discount Rate
6902ZZ	40				
	60				
	80				
6002ZZ	50				
	70				
	90				
6903ZZ	50				
	70				
	90				
6003ZZ	60				
	80				
	100				
6904ZZ	60				
	80				
	100				

Bearing No.	L	GBGYB		GBGY	
		Unit Price	Volume Discount Rate	Unit Price	Volume Discount Rate
6004ZZ	70				
	100				
6005ZZ	70				
	100				
6006ZZ	70				
	100				
6007ZZ	80				
	100				
6008ZZ	80				
	100				

For orders larger than indicated quantity, please request a quotation.



Type	① Bearing	② Main Body	③ Outer Ring Cover	④ Outer Ring Cover Mounting Screw	
	M Material	M Material	S Surface Treatment	M Material	S Surface Treatment
<b>GBGWB</b>	SUJ2	S45C Equivalent	Black Oxide	SCM435	Black Oxide
<b>GBGW</b>			Electroless Nickel Plating	SUS304	-



Bearing Accuracy: JIS B 1514 Class 0

Type	Bearing No.	Width T Selectable	Height h Selectable	d	Dh7	Tolerance	B	b1	H	dh	L	L1	L2	S	G	W	d1	T1	
																			6902ZZ
<b>GBGWB</b> (Black Oxide)	6902ZZ	30 50	30 40 50	15	28	+0.021 0	7	9	h+18	25	60	48	36	12	7.5	34	6.6	6	
	6002ZZ	40 60	30 40 50		32	+0.025 0	9	11	h+20	28	64	52	40			38			
	6903ZZ	40 60	30 40 50		30	+0.021 0	7	9	h+19	27	62	50	38			36			
	6003ZZ	40 60	30 40 50		35		10	12	h+22	31	68	56	44			42			
<b>GBGW</b> (Electroless Nickel Plating)	6904ZZ	40 60	40 50 60	20	37	+0.025 0	9	11	h+23	34	76	61	46	15	10	44	9	7	
	6004ZZ	50 80	40 50 60		42		12	14	h+25	36	80	65	50			48			
	6005ZZ	50 80	50 60		25	47		12	14	h+28	41	86	71			56			54
	6006ZZ	50 80	50 60		30	55	+0.030 0	13	15	h+32	48	104	84			64			18

Ordering Example: **Part Number** [Type] [Bearing] - [T] - [h]  
**GBGWB** 6903ZZ - 40 - 40

Bearing No.	T	GBGWB		GBGW	
		Unit Price	Volume Discount Rate	Unit Price	Volume Discount Rate
6902ZZ	30				
	50				
6002ZZ	40				
	60				
6903ZZ	40				
	60				
6003ZZ	40				
	60				
6904ZZ	40				
	60				
6004ZZ	50				
	80				
6005ZZ	50				
	80				
6006ZZ	50				
	80				

For orders larger than indicated quantity, please request a quotation.