

Support Units - Fixed Side, Square <for Limited Space>

Compact Type / Low Profile Type / Mounting Hole Narrow Pitch Type

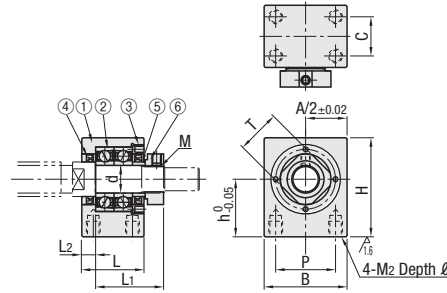
As compact in height and width compared to the conventional Support Units, it is suitable for use in limited space and for small devices.

Fixed Side Compact



Type	Material	Surface Treatment
BSQ	S45C	Black Oxide
BSQM	SS400	Electroless Nickel Plating

Most compact in size.



Component Details

Number	Part Name	Quantity
1	Bearing Housing	1
2	Japanese made angular contact bearing Grade 7	1 Set
3	Cover	1
4	Oil Seal	2
5	Collar	2
6	Bearing Nut (With Set Piece)	1

- Do not disassemble the fixed side main body (1, 2, 3) and (4), as they must remain assembled.
- d=8 comes with one Oil Seal (4)
- Angular Contact Bearing Class 5 is used for No.8
- *For No.10S, the I.D. of oil seal is smaller than the previous No.10S version.
- When used together with a MISUMI ball screw, there is one support unit accessory collar spare.

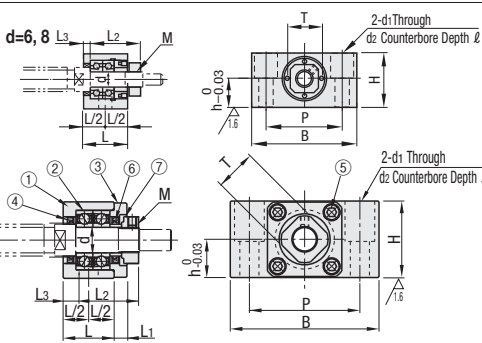
Type	No.	d	L	L1	L2	B	H	h	P	M2	ℓ	C	M (Fine)	T	Oil Seal Applicable Shaft Dia.	BSQ	BSQM
																Unit Price	Unit Price
BSQ BSQM	8	8	23	26	4	32	32	17	23	5	6	14	M8x1.0	14	11.5	1-10 pc (s).	1-10 pc (s).
	10S	10	27	29.5	6	36	43	25	26	6	10	17	M10x1.0	17	14		
	12	12	27	29.5	6	36	43	25	26	6	17	19	M12x1.0	19	15		
	10	10	27	29.5	6	36	43	25	26	6	17	19	M12x1.0	19	15		
	15	15	29	38	5	46	52	30	34	6	12	19	M15x1.0	22	20		

Fixed Side Low Profile



Type	Material	Surface Treatment
BSV	S45C	Black Oxide
BSVM	SS400	Electroless Nickel Plating

The lowest profile type.



Component Details

Number	Part Name	Quantity
1	Bearing Housing	1
2	Japanese standard angular contact bearing Grade 5	1 Set
3	Cover	1
4	Oil Seal	2
5	Hex Socket Head Cap Screw*	4
6	Collar	2
7	Bearing Nut (With Set Piece)	1

- Oil Seal (4) is not included in d=6.
- d=8 comes with one Oil Seal (4)
- Do not disassemble the fixed side main body (1, 2, 3, 4) and (5), as they must remain assembled.
- *Screws of BSVM are of Stainless Steel Type.
- For No.8S and 10S, the I.D. of oil seal is smaller than the previous No.8S and No.10S versions.
- When used together with a MISUMI ball screw, there is one support unit accessory collar spare.

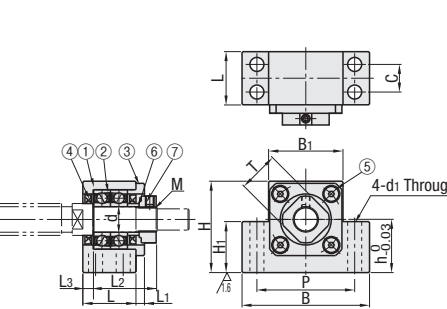
Type	No.	d	L	L1	L2	L3	B	H	h	P	d1	d2	ℓ	M (Fine)	T	Oil Seal Applicable Shaft Dia.	BSV	BSVM
																	Unit Price	Unit Price
BSV BSVM	6	6	20	-	22.5	3.5	42	22	11	30	5.5	9.5	12	M6x0.75	12	-	1-10 pc (s).	1-10 pc (s).
	8S	8	23	-	26	4	52	28	14	38	6.6	11	15	M8x1.0	14	10		
	10S	10	24	6	29.5	6	70	36	18	52	9	14	19	M10x1.0	17	14		
	10	10	24	6	29.5	6	70	36	18	52	9	14	19	M12x1.0	19	15		
	12	12	24	6	29.5	6	70	36	18	52	9	14	19	M12x1.0	19	15		
	15	15	25	6	38	5	80	41	21	60	11	17	21	M15x1.0	22	20		
20	20	42	10	52	10	95	56	28	75	11	17	29	M20x1.0	30	25			

Fixed Side Mounting Hole Narrow Pitch



Type	Material	Surface Treatment
BSA	S45C	Black Oxide
BSAM	SS400	Electroless Nickel Plating

Compact width design.



Component Details

Number	Part Name	Quantity
1	Bearing Housing	1
2	Japanese standard angular contact bearing Grade 5	1 Set
3	Cover	1
4	Oil Seal	2
5	Hex Socket Head Cap Screw*	4
6	Collar	2
7	Bearing Nut (With Set Piece)	1

- Do not disassemble the fixed side main body (1, 2, 3, 4) and (5), as they must remain assembled.
- *Screws of BSAM are of Stainless Steel Type.
- For No.10S, the I.D. of oil seal is smaller than the previous version.
- The screw head (5) protrudes 2mm from the cover.
- When used together with a MISUMI ball screw, there is one support unit accessory collar spare.

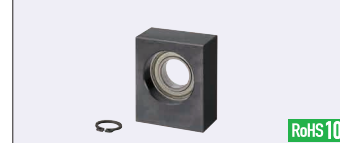
Type	No.	d	L	L1	L2	L3	B	H	h	B1	H1	P	C	d1	M (Fine)	T	Oil Seal Applicable Shaft Dia.	BSA	BSAM
																		Unit Price	Unit Price
BSA BSAM	10S	10	25	4	29.5	5	60	39	22	34	21	46	13	6.6	M10x1.0	17	12	1-10 pc (s).	1-10 pc (s).
	10	10	25	4	29.5	5	60	43	25	35	24	46	13	6.6	M12x1.0	19	14		
	12	12	25	4	29.5	5	60	43	25	35	24	46	13	6.6	M12x1.0	19	15		
	15	15	27	6	38	6	70	48	28	40	27	54	15	6.6	M15x1.0	22	20		

Support Units - Support Side, Square <for Limited Space>

Compact Type / Low Profile Type / Mounting Hole Narrow Pitch Type

Same dimensions as the Fixed Side Support Units with compact in height and width. Use it together with Fixed Side Support Units.

Support Side Compact

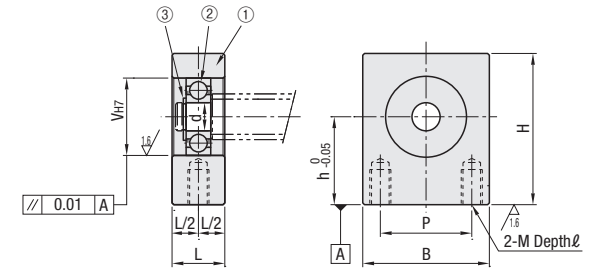


Type	Material	Surface Treatment
BUQ	S45C	Black Oxide
BUQM		Electroless Nickel Plating

Component Details

Number	Part Name	Quantity
1	Housing	1
2	Japanese made radial bearing	1
3	Retaining Ring*	1

- *Retaining Ring for BUQM is of Stainless Steel Type.



Type	No.	d	L	B	H	h	P	V	M	ℓ	Bearing Type	Retaining Ring	BUQ	BUQM
													Unit Price	Unit Price
BUQ BUQM	8	6	15	32	32	17	23	17	5	6	B606ZZ	STWN, S6	1-10 pc (s).	1-10 pc (s).
	10	8	36	43	25	26	22	6	10	B608ZZ	STWN, S8			
	12	10	20	46	52	30	34	26	6	10	B6000ZZ	STWN, S10		
	15	15	46	52	30	34	32	26	6	12	B6002ZZ	STWN, S15		

Support Side Low Profile

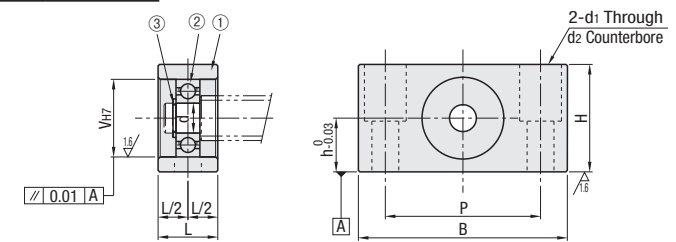


Type	Material	Surface Treatment
BUV	S45C	Black Oxide
BUVM		Electroless Nickel Plating

Component Details

Number	Part Name	Quantity
1	Housing	1
2	Japanese made radial bearing	1
3	Retaining Ring*	1

- *Retaining Ring for BUVM is of Stainless Steel Type.



Type	No.	d	L	B	H	h	P	V	d1	d2	ℓ	Bearing Type	Retaining Ring	BUV	BUVM
														Unit Price	Unit Price
BUV BUVM	6	6	12	42	22	11	30	17	5.5	9.5	12	B606ZZ	STWN, S6	1-10 pc (s).	1-10 pc (s).
	8	6	15	52	28	14	38	17	6.6	11	15	B606ZZ	STWN, S6		
	10	8	20	70	36	18	52	22	9	14	19	B608ZZ	STWN, S8		
	12	10	26	80	41	21	60	32	11	17	21	B6000ZZ	STWN, S10		
	15	15	26	95	56	28	75	47	11	17	29	B6204ZZ	STWN, S20		
	20	20	26	95	56	28	75	47	11	17	29	B6204ZZ	STWN, S20		

Support Side Mounting Hole Narrow Pitch

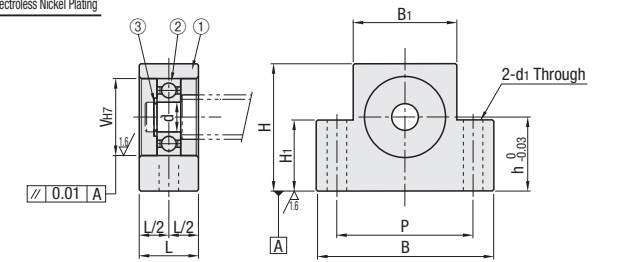


Type	Material	Surface Treatment
BUA	S45C	Black Oxide
BUAM		Electroless Nickel Plating

Component Details

Number	Part Name	Quantity
1	Housing	1
2	Japanese made radial bearing	1
3	Retaining Ring*	1

- *Retaining Ring for BUAM is of Stainless Steel Type.



Type	No.	d	L	B	H	h	B1	H1	P	V	d1	Bearing Type	Retaining Ring	BUA	BUAM
														Unit Price	Unit Price
BUA BUAM	10	8	60	39	22	34	21	46	22	6.6	6.6	B608ZZ	STWN, S8	1-10 pc (s).	1-10 pc (s).
	12	10	70	43	25	35	24	54	26	6.6	6.6	B6000ZZ	STWN, S10		
	15	15	70	48	28	40	27	54	32	6.6	6.6	B6002ZZ	STWN, S15		

Ordering Example
Part Number
BSQM8
BSV10S
BSA12

- For details of Bearings in addition to mounting interface accuracies of Support Units, Included Collar and Bearing Nut, see P.759
- Ball Screw Compatibility Chart P.756
- Store Accessories with care since they are required when assembling.

Ordering Example
Part Number
BUQ8
BUV10
BUAM12