

Support Units - Fixed Side, Square Standard

Support Units - Support Side, Square <Standard> Standard

Points of comparison between similar products | Consider using these parts when the usage environment is high-load application and high operation frequency.

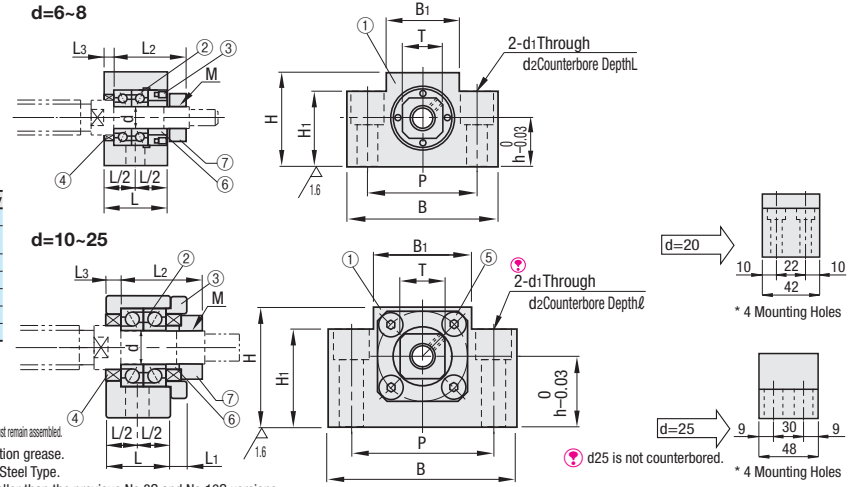
Industry Standard



Number	Part Name	Quantity
①	Bearing Housing	1
②	Japanese standard angular contact bearing Grade 5	1 Set
③	Cover	1
④	Oil Seal	2
⑤	Hex Socket Head Cap Screw*	4
⑥	Collar	2
⑦	Bearing Nut (with Set Piece)	1

- Oil Seal ④ is not included in d=6.
- d=8 comes with one Oil Seal ④
- Do not disassemble the fixed side main body ①, ②, ③ and ④, as they must remain assembled.
- BSWR bearing is filled with low dust generation grease.
- *Screws ⑤ for BSWR and BSWN are Stainless Steel Type.
- For No.8S and 10S, the I.D. of oil seal is smaller than the previous No.8S and No.10S versions.
- When used together with a MISUMI ball screw, there is one support unit accessory collar spare.

Type	Material	Surface Treatment
Fixed Side only	① ③	① ③ ⑥ ⑦
Fixed Side and Support Side SET	⑥ ⑦	① ③ ⑥ ⑦
BSW	BSW-SET	Black Oxide
BSWN	BSWN-SET	Electroless Nickel Plating
BSWR	BSWR-SET	Low Temperature Black Chrome Plating



Part Number	Type	No.	d	L	L1	L2	L3	B	H	h	B1	H1	P	d1	d2	l	M (Fine)	T	Oil Seal Applicable Shaft Dia.		
6	BSW BSWN BSWR	6	6	20	-	22.5	3.5	42	25	13	18	20	30	5.5	9.5	11	M6x0.75	12	-		
8S		8	8	23	-	26	4	52	32	17	25	26	38	6.6	11	11	M8x1.0	14	10		
8		8	8	8	8	8	8	8	8	8	8	8	8	8	8	8	8	8	8	11.5	
1022		10	10	10	10	10	10	10	10	10	10	10	10	10	10	10	10	10	10	14	
10S		10	10	10	10	10	10	10	10	10	10	10	10	10	10	10	10	10	10	12	
10		10	10	10	10	10	10	10	10	10	10	10	10	10	10	10	10	10	10	10	14
1223		12	12	12	12	12	12	12	12	12	12	12	12	12	12	12	12	12	12	15	
12		12	12	12	12	12	12	12	12	12	12	12	12	12	12	12	12	12	12	19	
1526		15	15	15	15	15	15	15	15	15	15	15	15	15	15	15	15	15	15	20	
1528		15	15	15	15	15	15	15	15	15	15	15	15	15	15	15	15	15	15	22	
15	15	15	15	15	15	15	15	15	15	15	15	15	15	15	15	15	15	15	20		
20	20	20	20	20	20	20	20	20	20	20	20	20	20	20	20	20	20	20	25		
25	25	25	25	25	25	25	25	25	25	25	25	25	25	25	25	25	25	25	31		

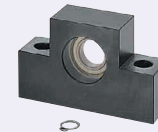
Take care in combining No.20 with Ball Screw BSSZ(K)2510, BSSR(K)2510 or BSST2510. The ball screw nut may come in contact with the bottom surfaces.

Part Number	Type	No.	Unit Price
BSW15	(Fixed-side single type)	15	
BSW15-SET	(SET part type)	15	

- For details of Bearings in addition to mounting interface accuracies of Support Units, Included Collar and Bearing Nut, see P.759
- Ball Screw Compatibility Chart P.756
- Store Accessories with care since they are required when assembling.

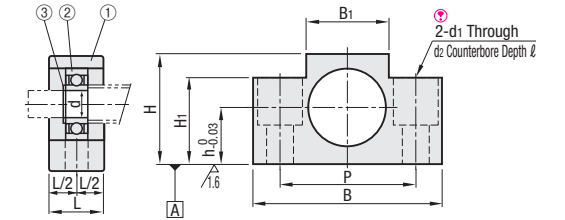
Part Number	Type	No.	Unit Price
BSW		6	
BSWN		8S	
BSWR		8	
BSW-SET		1022	
BSWN-SET		10S	
BSWR-SET		10	
		1223	
		12	
		1526	
		1528	
		15	
		20	
		25	

Industry Standard



Type	Material	Surface Treatment
Standard	S45C	Black Oxide
BUN		Electroless Nickel Plating
BUNM		Low Temperature Black Chrome Plating
BUNR		

No.1022 ~ 25 are not counterbored.



Component Details

Number	Part Name	Quantity
①	Housing	1
②	Japanese made radial bearing	1
③	Retaining Ring (STWN, S)	1

- BUNR bearing is Stainless Steel Type filled with low dust generation grease.
- * Retaining rings ③ of BUNR and BUNM are Stainless Steel Type.

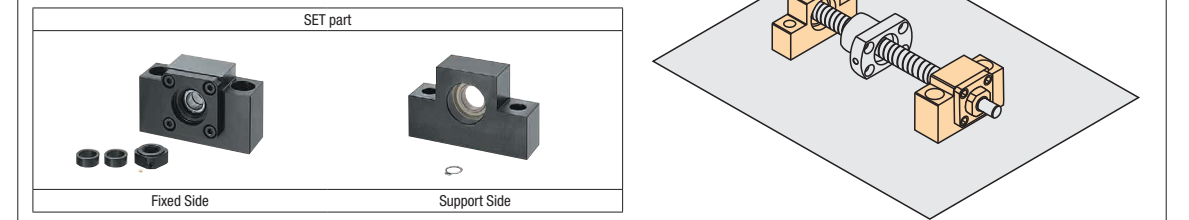
Part Number	Type	No.	d	L	B	H	h	B1	H1	P	V	d1	d2	l	Bearing Type	Retaining Ring	BUN Unit Price	BUNM Unit Price	BUNR Unit Price	
6	BUN BUNM BUNR	6	6	12	42	25	13	18	20	30	17	5.5	9.5	11	B606ZZ	STWN, S6				
8		8	8	8	8	8	8	8	8	8	8	8	8	8	8	8				
1022		10	10	10	10	10	10	10	10	10	10	10	10	10	10	10				
10		10	10	10	10	10	10	10	10	10	10	10	10	10	10	10				
1223		12	12	12	12	12	12	12	12	12	12	12	12	12	12	12				
12		12	12	12	12	12	12	12	12	12	12	12	12	12	12	12				
1526		15	15	15	15	15	15	15	15	15	15	15	15	15	15	15				
1528		15	15	15	15	15	15	15	15	15	15	15	15	15	15	15				
15		15	15	15	15	15	15	15	15	15	15	15	15	15	15	15				
20		20	20	20	20	20	20	20	20	20	20	20	20	20	20	20				
25	25	25	25	25	25	25	25	25	25	25	25	25	25	25	25					

Take care in combining No.20 with Ball Screw BSSZ(K)2510, BSSR(K)2510 or BSST2510. The ball screw nut may come in contact with the bottom surfaces.

Ordering Example	Part Number	Support side, separate item
BUN15		

SET part overview

For customers using in conjunction with fixed side and support side We recommend a SET, which allows the fixed side and support side to be ordered as one set. 5% price reduction when ordering in SETs



<SET parts>

SET Part Number	Fixed Side Part Number	Support Side Part Number	SET Part Number	Fixed Side Part Number	Support Side Part Number	SET Part Number	Fixed Side Part Number	Support Side Part Number
BSW6-SET	BSW6	BUN6	BSW6-SET	BSW6	BUN6	BSW6-SET	BSW6	BUN6
BSW8S-SET	BSW8S	BUN8	BSWN8S-SET	BSWN8S	BUNM8	BSWR8S-SET	BSWR8S	BUNR8
BSW8-SET	BSW8	BUN8	BSWN8-SET	BSWN8	BUNM8	BSWR8-SET	BSWR8	BUNR8
BSW1022-SET	BSW1022	BUN1022	BSWN1022-SET	BSWN1022	BUNM1022	BSWR1022-SET	BSWR1022	BUNR1022
BSW10S-SET	BSW10S	BUN10	BSWN10S-SET	BSWN10S	BUNM10	BSWR10S-SET	BSWR10S	BUNR10
BSW10-SET	BSW10	BUN10	BSWN10-SET	BSWN10	BUNM10	BSWR10-SET	BSWR10	BUNR10
BSW1223-SET	BSW1223	BUN1223	BSWN1223-SET	BSWN1223	BUNM1223	BSWR1223-SET	BSWR1223	BUNR1223
BSW12-SET	BSW12	BUN12	BSWN12-SET	BSWN12	BUNM12	BSWR12-SET	BSWR12	BUNR12
BSW1526-SET	BSW1526	BUN1526	BSWN1526-SET	BSWN1526	BUNM1526	BSWR1526-SET	BSWR1526	BUNR1526
BSW1528-SET	BSW1528	BUN1528	BSWN1528-SET	BSWN1528	BUNM1528	BSWR1528-SET	BSWR1528	BUNR1528
BSW15-SET	BSW15	BUN15	BSWN15-SET	BSWN15	BUNM15	BSWR15-SET	BSWR15	BUNR15
BSW20-SET	BSW20	BUN20	BSWN20-SET	BSWN20	BUNM20	BSWR20-SET	BSWR20	BUNR20
BSW25-SET	BSW25	BUN25	BSWN25-SET	BSWN25	BUNM25	BSWR25-SET	BSWR25	BUNR25