

Slide Rails

Medium Load, Steel, Stainless Steel

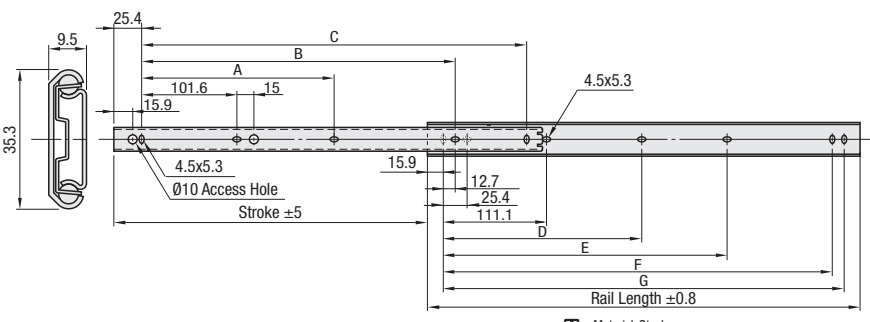
Load Rating: 225N~481N/2 pcs.

■Features: The rails are trivalent chrome coated steel. Economically priced slide rails compliant with RoHS regulations.

■Steel, Two-Step

SR36

Rail Disassembly: Possible



RoHS10

Inner and outer rails are not exchangeable.

Material: Steel
Surface Treatment: Bright Chromate (Trivalent Chromium)

Part Number Type	No.	Rail Length	Stroke	A	B	C	D	E	F	G	Load Rating (N/2 pcs.)	Unit Price	Volume Discount Rate
SR36	12	305	229	-	152.4	254	-	149.2	260.3	273	294	1 ~ 5 pc(s)	6 ~ 20 pcs
	14	356	279	-	203.2	304.8	-	200	311.1	323.8	363		
	16	406	305	-	254	355.6	-	250.8	361.9	374.6	382		
	18	457	330	203.2	304.8	406.4	212.7	301.6	412.7	425.4	362		
	20	508	381	228.6	355.6	457.2	238.1	352.4	463.5	476.2	323		
	22	559	406	254	406.4	508	263.5	403.2	514.3	527	304		
	24	610	432	279.4	457.2	558.8	288.9	454	565.1	577.8	265		
	26	660	483	304.8	508	609.6	314.3	504.8	615.9	628.6	235		
	28	711	508	330.2	558.8	660.4	339.7	555.6	666.7	679.4	225		

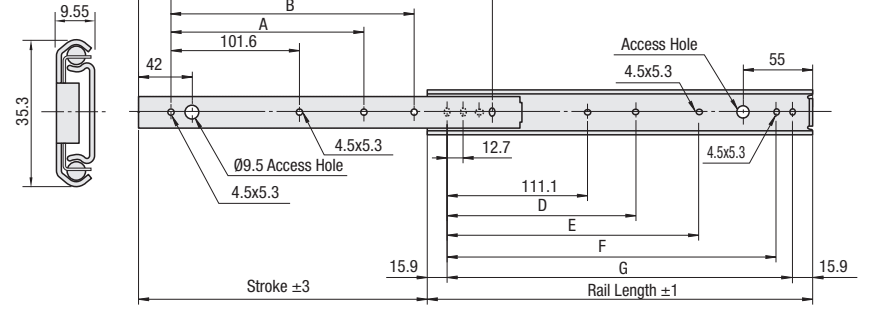
For horizontal installation, the target value of load rating is 25% (Reference Value).
The rails stop once in the full stroke position. The inner and outer rails can be separated by pulling further.

■Features: The rails are made of SUS304, which has excellent corrosion resistance.

■Stainless Steel, Two-Step

SSRN36

Rail Disassembly: Not Possible



RoHS10

Inner and outer rails are not exchangeable.

Material: Rail: SUS304
Ball: SUS440C

Part Number Type	No.	Rail Length	Stroke	A	B	C	D	E	F	G	Load Rating (N/2 pcs.)	Unit Price	Volume Discount Rate
SSRN36	12	304.8	228.6	-	152.4	254	-	149.2	260.3	273	481	1 ~ 3 pc(s)	4 ~ 20 pcs
	14	355.6	279.4	-	203.2	304.8	-	200	311.1	323.8	461		
	16	406.4	304.8	-	254	355.6	-	250.8	361.9	374.6	422		
	18	457.2	330.2	203.2	304.8	406.4	212.7	301.6	412.7	425.4	402		
	20	508	381	228.6	355.6	457.2	238.1	352.4	463.5	476.2	363		
	22	558.8	406.4	254	406.4	508	263.5	403.2	514.3	527	333		
	24	609.6	431.8	279.4	457.2	558.8	288.9	454	565.1	577.8	294		
	26	660.4	482.6	304.8	508	609.6	314.3	504.8	615.9	628.6	265		
	28	711.2	508	330.2	558.2	660.4	339.7	555.6	666.7	679.4	245		

For horizontal installation, the target value of load rating is 25% (Reference Value). The rails cannot be pulled apart.
Use M4 Recessed Truss Machine Screws (P2-233, 234) or Recessed Binding Head Screws (P2-232) to mount rails.

Slide Rails

Medium Load, Steel, Stainless Steel

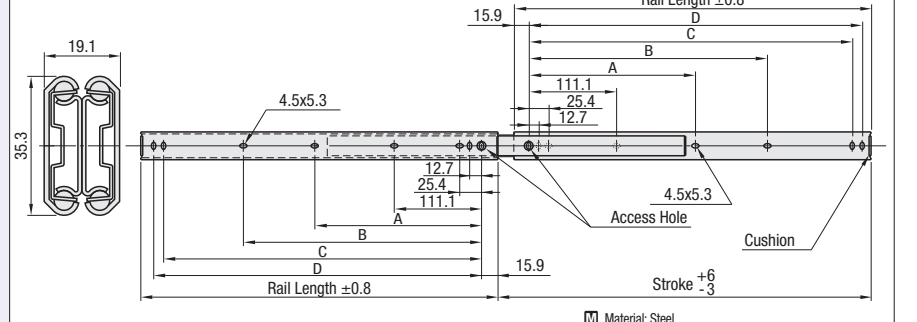
Load Rating: 294N~588N/2 pcs.

■Features: The rails are trivalent chrome coated steel. Economically priced slide rails compliant with RoHS regulations.

■Steel, Three-Step

SRX36

Rail Disassembly: Not Possible

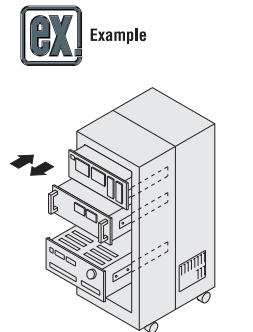


RoHS10

Material: Steel
Surface Treatment: Bright Chromate (Trivalent Chromium)

Part Number Type	No.	Rail Length	Stroke	A	B	C	D	Load Rating (N/2 pcs.)	Unit Price	Volume Discount Rate
SRX36	12	305	324.2	-	149.2	260.3	273	500	1 ~ 5 pc(s)	6 ~ 20 pcs
	14	356	375.4	-	200	311.1	323.8	529		
	16	406	424.6	-	250.8	361.9	374.6	500		
	18	457	475.8	212.7	301.6	412.7	425.4	461		
	20	508	527	238.1	352.4	463.5	476.2	451		
	22	559	578.2	263.5	403.2	514.3	527	402		
	24	610	629.4	288.9	454	565.1	577.8	353		
	26	660	678.6	314.3	504.8	615.9	628.6	333		
	28	711	729.8	339.7	555.6	666.7	679.4	294		

For horizontal installation, the target value of load rating is 25% (Reference Value).
Three-step rail can be pulled out to the end. The rails cannot be pulled apart.
Use M4 Recessed Truss Machine Screws (P2-233, 234) or Recessed Binding Head Screws (P2-232) to mount rails.

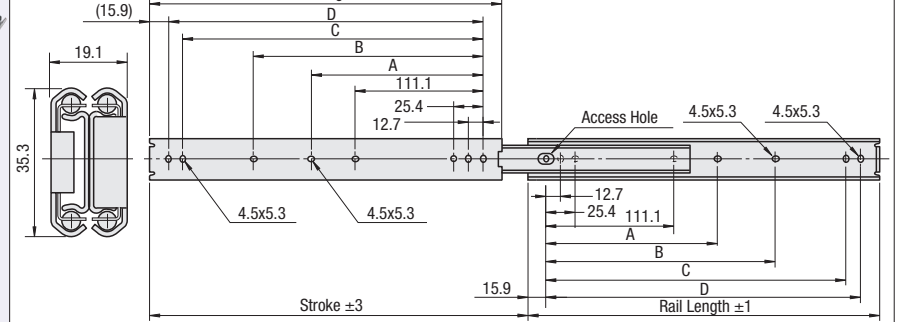


■Features: The rails are made of SUS304, which has excellent corrosion resistance.

■Stainless Steel, Three-Step

SSRXN36

Rail Disassembly: Not Possible



RoHS10

Material: Rail: SUS304
Ball: SUS440C

Part Number Type	No.	Rail Length	Stroke	A	B	C	D	Load Rating (N/2 pcs.)	Unit Price	Volume Discount Rate
SSRXN36	12	304.8	327.2	-	149.2	260.3	273	588	1 ~ 5 pc(s)	6 ~ 20 pcs
	14	355.6	378	-	200	311.1	323.8	578		
	16	406.4	428.4	-	250.8	361.9	374.6	559		
	18	457.2	479.2	212.7	301.6	412.7	425.4	549		
	20	508.0	530	238.1	352.4	463.5	476.2	529		
	22	558.8	580.8	263.5	403.2	514.3	527	500		
	24	609.6	631.6	288.9	454	565.1	577.8	480		
	26	660.4	682.4	314.3	504.8	615.9	628.6	461		
	28	711.2	733.2	339.7	555.6	666.7	679.4	441		

For horizontal installation, the target value of load rating is 25% (Reference Value). Three-step rail can be pulled out to the end. The rails cannot be pulled apart.
Use M4 Recessed Truss Machine Screws (P2-233, 234) or Recessed Binding Head Screws (P2-232) to mount rails.

Ordering Example
Part Number
SSRN3628
SR3624

Ordering Example
Part Number
SSRXN3620
SRX3624