



Miniature Linear Guides

Long Blocks with Dowel Holes, Light Preload

Similar Products Comparison Points | MISUMI original specifications with dowel holes. Requires less time for assembly and has better repeatability.

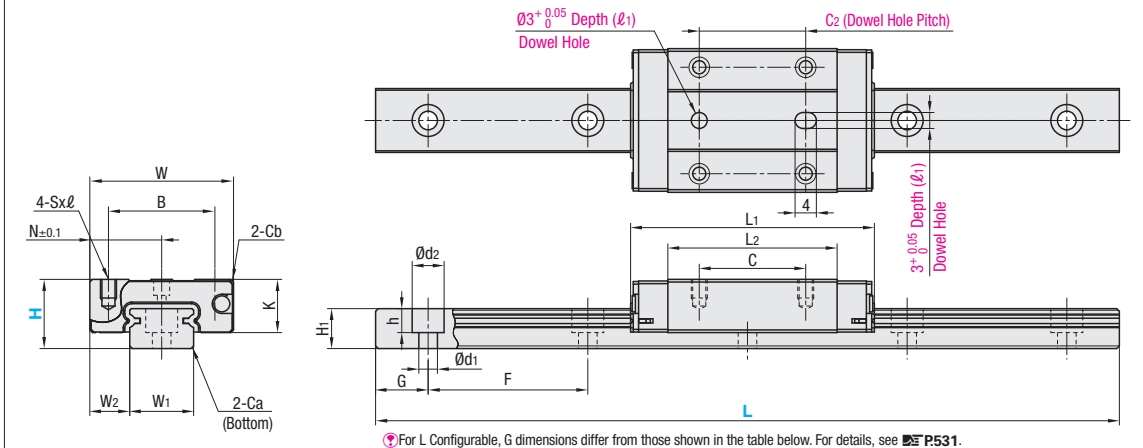


Material Hardness	Type	MX (Lubrication Unit)	L Dimension	Number of Blocks
	Light Preload High Grade			
Stainless Steel 56HRC-	SSELBN	Blank: None -MX: Provided	Selectable	1
	SSEL2BN			2
	SSELBNL			1
	SSEL2BNL			2

Heat Resistant Temperature: -20 ~ 80°C

RoHS 10

Blocks and rails are not sold as separate items. This Type has guaranteed radial clearances and accuracies as sets of blocks and rails.



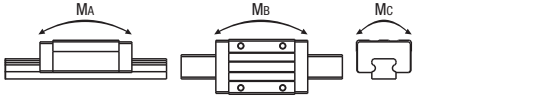
For L Configurable, G dimensions differ from those shown in the table below. For details, see P531.

- Precautions for Use**
 - Blocks are equipped with retainers (wire) to prevent balls from falling off. For how to handle the blocks, see P525.
 - Radial clearances and accuracies are not guaranteed if the blocks and rails are interchanged from the original set combinations.
 - Straight grooves are provided on datum planes. Be sure to match the datum lines when using.
 - Rails cannot be connected end to end.
 - The accuracy of Linear Guides is guaranteed after mounting the rail (after fastening screws on the rail and pushing it onto the datum plane).
 - Minor bending of the rail will be adjusted after being mounted and will not affect the performance.
- Accessories**
 - H8 comes with cap screws (M2x6).
- Others**
 - Filled with Lithium soap based grease (Multemp Grease PS2 by Kyodo Yushi Co., Ltd.).
 - For operating life calculation, see P527.
 - For operating life calculations, use our free calculation software from http://download.misumi.jp/mol/fa_soft.html.
 - The MX type is greased with a lithium complex grease (TOUGHLIX GREASE MP2, made by JXTG Nippon Oil & Energy Corporation).

Part Number	Type	MX	H	L	Block Dimension				Dowel Hole Dimensions				Guide Rail Dimension									
					W	L ₁	B	C	Sxℓ	L ₂	K	Cb	N	C ₂	ℓ ₁	W ₁	W ₂	H ₁	Ca	Counterbored Hole d ₁ x ₂ z _h	F	G
SSELBN SSEL2BN SSELBNL SSEL2BNL	Blank: None -MX: Provided	-	8	40-130 (100)	17	32	12	13	M2x2.5	22	6.5	0.3	8.5	13	2	7	5	4.7	0.3	2.4x4.2x2.3	15	5
			10	55-275 (115)	20	40	15	16	M3x3	29	7.8	0.3	10	16	2.5	9	5.5	5.5	0.3	3.5x6x3.5	20	7.5
			13	70-470 (120)	27	45.8	20	20	M3x3.5	31.8	10	0.5	13.5	20	3	12	7.5	7.5	0.5	3.5x6x4.5	25	10
			16	110-670 (150)	32	58.3	25	25	M3x4	43.3	12	0.5	16	25	4	15	8.5	9.5	0.5	3.5x6x4.5	40	15
			20	160-700 (220)	40	67.7	30	30	M4x6	52.3	15	0.5	20	30	4	20	10	11	0.5	6x9.5x5.5	60	20

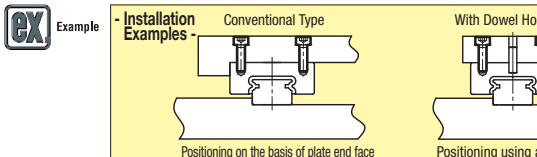
kgf=Nx0.101972

H	Basic Load Rating		Allowable Static Moment			Mass	
	C (Dynamic) kN	Co (Static) kN	MA N·m	MB N·m	MC N·m	Block kg	Guide Rail kg/m
8	1.6	2.4	7.5	7.5	9.0	0.016	0.19
10	2.2	3.7	12.3	12.3	13.0	0.03	0.31
13	3.5	5.3	24.5	26.4	32.3	0.06	0.61
16	5.8	8.7	57.8	62.6	67.6	0.10	1.02
20	7.2	13.5	80.7	80.7	138.2	0.18	1.65



Preload and Accuracy Standards

Specifications	Light Preload, High Grade
Radial Clearance	-3~0
Height H Tolerance	±20
Pair Variation of Height H	15
Width W ₂ Tolerance	±25
Pair Variation of Width W ₂	20
Running Parallelism of Plane C against Plane A	See P525
Running Parallelism of Plane D against Plane A	See P525



Lubrication Unit MX

The oil-impregnated porous core part has been built into the product.

The same block size as existing products!

Advantages of the Lubrication Unit MX:
 Provides long-term maintenance-free operation.
 Reduces maintenance costs.

H	L	Unit Price	
		SSELBN	SSEL2BN
8	40		-
	55		-
	70		-
	85		-
	100		-
	115		-
	130		-
10	55		-
	75		-
	95		-
	115		-
	135		-
	155		-
	175		-
	195		-
	215		-
	235		-
	255		-
	275		-
	70		-
95		-	
120		-	
145		-	
170		-	
195		-	
220		-	
245		-	
270		-	
295		-	
320		-	
345		-	
370		-	
395		-	
420		-	
445		-	
470		-	
110		-	
150		-	
190		-	
230		-	
270		-	
310		-	
350		-	
390		-	
430		-	
470		-	
510		-	
550		-	
590		-	
630		-	
670		-	
160		-	
220		-	
280		-	
340		-	
400		-	
460		-	
520		-	
580		-	
640		-	
700		-	

L Dimension Configurable Type (1mm Increment)

H	Unit Price	
	SSELBNL	SSEL2BNL
8		
10		
13		
16		
20		

For calculation of L Dimension Configurable Type (1mm Increment), add the above amount to the unit price of the Selectable Type longer than, and closest to this L Dimension Configurable Type.

Ordering Example

Part Number - L

- SSELBN10 - 275
- SSELBN-MX10 - 275 (With Lubrication Unit)
- SSELBN10L - 75 (L Type Greased)
- SSELBN10G - 75 (G Type Greased)

Alternative grease types available.
 P531

Alterations

Part Number - L - (MC, RLC, LLC, B3, B4)

SSEL2BN16 - 430 - MC - RLC

Alterations	Code	Spec.												
Tapped Hole	MC	Changes the rail mounting holes from counterbored holes to tapped holes. <table border="1"> <tr><td>H</td><td>MC</td></tr> <tr><td>8</td><td>M3</td></tr> <tr><td>10</td><td>M4</td></tr> <tr><td>13</td><td>M5</td></tr> <tr><td>16</td><td>M6</td></tr> </table>	H	MC	8	M3	10	M4	13	M5	16	M6		
H	MC													
8	M3													
10	M4													
13	M5													
16	M6													
Rail End Cut	Left End Cut LLC Right End Cut RLC	Cuts rail ends. Ordering Code LLC <table border="1"> <tr><td>H</td><td>L Cut</td><td>N</td></tr> <tr><td>10</td><td>2.5</td><td></td></tr> <tr><td>13</td><td>5</td><td>5</td></tr> <tr><td>16</td><td>10</td><td></td></tr> </table> <ul style="list-style-type: none"> Applicable to Selectable Type only. Overall length will be shorter by cutting. Not applicable to H8/20. 	H	L Cut	N	10	2.5		13	5	5	16	10	
H	L Cut	N												
10	2.5													
13	5	5												
16	10													
3-Block Specifications	B3	Add 2 blocks to 1-block product to ship as 3-block separate item. <ul style="list-style-type: none"> There are restrictions for the L dimension length. See "Selectable Shortest Rail Length" for details. Selection Example: SSELBN10-195-B3 												
4-Block Specifications	B4	Add 3 blocks to 1-block product to ship as 4-block separate item. <ul style="list-style-type: none"> There are restrictions for the L dimension length. See "Selectable Shortest Rail Length" for details. Selection Example: SSELBN16-510-B4 												

Additional Block Price

H	B3: Price Adder		B4: Price Adder		Selectable Shortest Rail Length for B3/B4		
	Standard	Standard MX	Standard	Standard MX	H	B3 (3-block)	B4 (4-block)
8					8	115	-
10					10	155	195
13					13	170	220
16					16	230	270
20					20	280	340

Not applicable to H8 B4 (4 blocks)

Options for Linear Guide

Position Retaining Parts	Block / Rail Fixing Parts
	Rail Push Plates
Rail Height Adjusting Blocks 	Linear Lock
Block Derailment Prevention Parts 	Linear Guide Lock Units
Stopper Bolts 	