

# [Simplified Adjustments] XY-Axis, Rack & Pinion




# [Standard] XY-Axis Dovetail Slide, Rack & Pinion

Rectangular / Low Profile

Features: Rack & Pinion mechanism enables rapid and large distance adjustments.

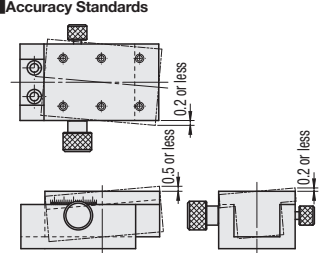
**XY-Axis** RoHS10



X-Axis P.1902  
Z-Axis P.1953

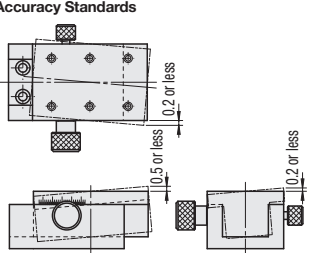
Travel per Rotation: approx. 19mm

**Accuracy Standards**



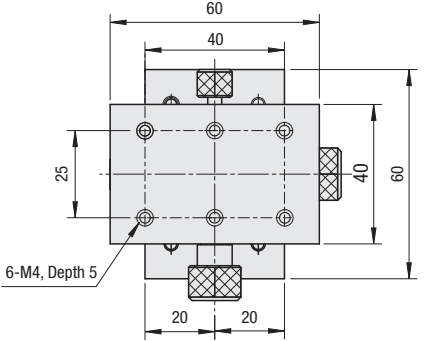
There are some mechanical clearances as shown above, and not recommended for positioning applications requiring accuracies. Values are for single-axis configuration.

**Accuracy Standards**

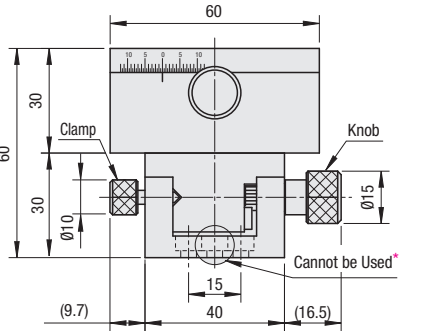


There are some mechanical clearances as shown above, and not recommended for positioning applications requiring accuracies. Values are for single-axis configuration.

**XYKR60**

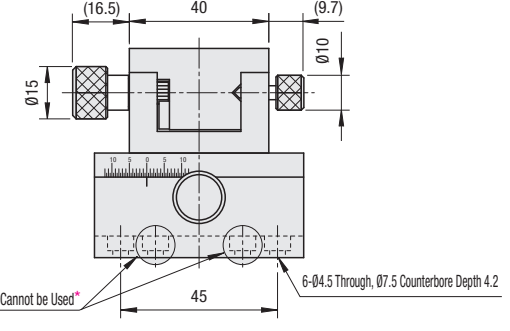


6-M4, Depth 5



Clamp, Knob, Cannot be Used\*

**XYDTS60**



6-M4, Depth 5, 6-04.5 Through, 07.5 Counterbore Depth 4.2, Cannot be Used\*

**Material:** Aluminum Alloy  
**S Surface Treatment:** Black Anodize  
**A Accessory:** Hex Socket Low Head Cap Screw (P.194, CBS4-6) 4 pcs.

Part Number Type	No.	Stage Surface (mm)	Travel Distance (mm)	Load Capacity (N)	Weight (kg)	Unit Price
XYKR60	60	40x60	±14	34.3	0.42	

Travel per Rotation: Approx. 19mm. For orders larger than indicated quantity, please request a quotation.


Ordering Example: Part Number XYKR60

Points on Similar Product Comparison | Travel Accuracy (Straightness) 50µm

Similar Product Pages: P.1937, P.1938

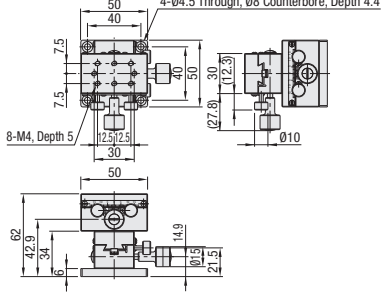
Features: Rapid feed Rack & Pinion stages with less accuracy and more economical prices than existing products.

**XY-Axis** RoHS10



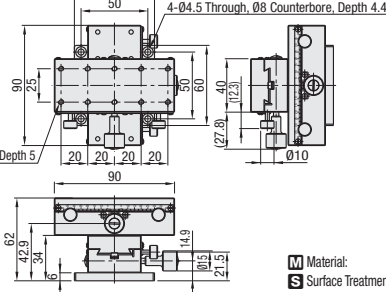
X-Axis P.1903  
Z-Axis P.1953

**XYDTS50**



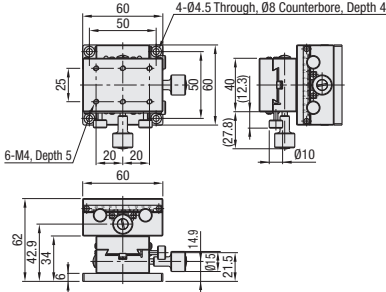
4-04.5 Through, 08 Counterbore, Depth 4.4, 8-M4, Depth 5, Ø10

**XYDTS90**



4-04.5 Through, 08 Counterbore, Depth 4.4, 10-M4, Depth 5, Ø10

**XYDTS60**



4-04.5 Through, 08 Counterbore, Depth 4.4, 6-M4, Depth 5, Ø10

**Material:** Aluminum Alloy  
**S Surface Treatment:** Black Anodize

XY-Axis Stages High Precision Stage Existing Product: XYWG (P.1937)

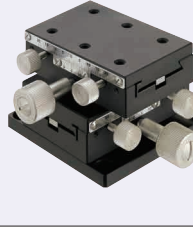
Part Number Type	No.	Stage Surface (mm)	Travel Distance (mm)	Travel per Rotation (mm)	Load Capacity (N)	Travel Accuracy Straightness	Weight (kg)	Unit Price
XYDTS	50	30x30	±16	16.7	24.5	50µm	0.39	
	60	40x60	±21		34.3		0.52	
	90	40x90	±35				0.72	

Resolution (Vernier Scale Indication): 0.1mm/division. Knob Cover HDCR15 (Sold Separately). Ø15 knobs can be increased in diameter by installing the cover. P.2004. Travel accuracy values shown are for single axis configuration. For orders larger than indicated quantity, please request a quotation.

Ordering Example: Part Number XYDTS60

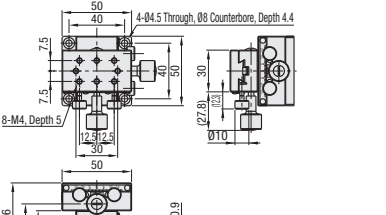
XY-Axis, Low Profile

**XY-Axis, Low Profile** RoHS10



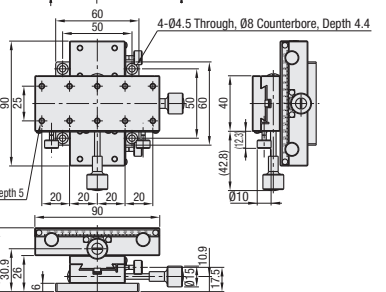
X-Axis P.1903  
Z-Axis P.1953

**XYDTS50**



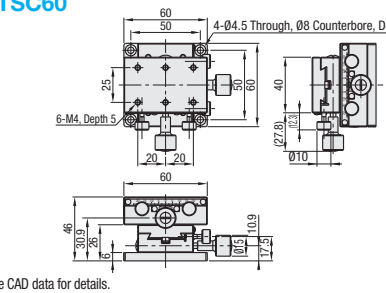
4-04.5 Through, 08 Counterbore, Depth 4.4, 8-M4, Depth 5, Ø10

**XYDTS90**



4-04.5 Through, 08 Counterbore, Depth 4.4, 10-M4, Depth 5, Ø10

**XYDTS60**



4-04.5 Through, 08 Counterbore, Depth 4.4, 6-M4, Depth 5, Ø10

**Material:** Aluminum Alloy  
**S Surface Treatment:** Black Anodize

See the CAD data for details. Please note that the mounting plate and the bottom feed knob may interfere when the bottom plate is removed for use.

XY-Axis Stages Standard Type: XYDTS (P.1938)

Part Number Type	No.	Stage Surface (mm)	Travel Distance (mm)	Travel per Rotation (mm)	Load Capacity (N)	Travel Accuracy Straightness	Weight (kg)	Unit Price
XYDTS	50	50x30	±15	16.7	14.7	50µm	0.33	
	60	60x40	±20		24.5		0.42	
	90	90x40	±35				0.57	

Resolution (Vernier Scale Indication): 0.1mm/division. Knob Cover HDCR15 (Sold Separately). Dovetail Stage Ø15 knobs can be increased in diameter by installing the cover. P.2004. Travel accuracy values shown are for single axis configuration. For orders larger than indicated quantity, please request a quotation.

Ordering Example: Part Number XYDTS90