


Idler Sprockets with Hub

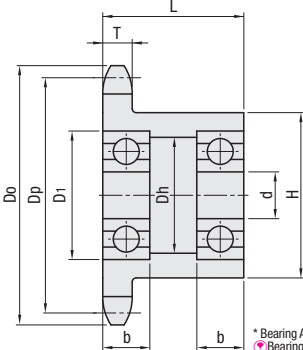
35B, 40B, 50B, 60B Series

Features: The Idlers with bearings built-in on both sides of general purpose sprockets.



Type	Material		Surface Treatment
	Main Body	Bearing	
DRCBW	S45C Equivalent (Induction Hardened Teeth Tip)	Steel	Black Oxide
DRCSBW	SUS304 Equivalent	Stainless Steel	-

*For Cantilever Shafts, see [P.883-906](#).
 *For non-drive shaft side tension adjustments, please see Tensioner Unit on [P.1555](#).



* Bearing Accuracy: JIS B1514 Class 0
* Bearings are press-fit.

Part Number Type	Number of Teeth No.	d	Dp	Do	Dh	Hub		T	Bearing Dimensions			Unit Price		
						H	L		No.	D1	b	DRCBW	DRCSBW	
DRCBW DRCSBW	35	10	10	30.82	34	13	*24.5	20	4.3	6700ZZ	15	4		
		12	12	36.80	41	18	*30.5			6801ZZ	21	5		
		13	12	39.80	44	18	*32			6801ZZ	21	5		
		14	12	42.81	47	21	32			6901ZZ	24	6		
		15	12	45.81	51	24	35			6001ZZ	28	8		
		16	12	48.82	54	24	37			6001ZZ	28	8		
		18	15	54.85	60	28	44			6002ZZ	32	9		
		20	15	60.89	66	28	50			6002ZZ	32	9		
		21	15	63.91	69	28	53			6002ZZ	32	9		
		25	20	76	81	34	53			6904ZZ	37	9		
		32	20	97.18	102	34	53			6904ZZ	37	9		
		40	10	12	41.10	46	18			*32	22	7.2	6801ZZ	21
	11		12	45.08	51	21	*36	6901ZZ	24	6				
	12		12	49.07	55	24	*40	6001ZZ	28	8				
	13		12	53.07	59	24	37	6001ZZ	28	8				
	14		12	57.07	63	24	42	6001ZZ	28	8				
	15		15	61.08	67	28	46	6002ZZ	32	9				
	16		15	65.1	71	28	50	6002ZZ	32	9				
	17		20	69.12	76	34	54	6904ZZ	37	9				
	18		20	73.14	80	34	57	6904ZZ	37	9				
	19		20	77.16	84	34	62	6904ZZ	37	9				
	20		25	81.18	88	36	67	6905ZZ	42	9				
	24		25	97.3	104	36	63	6905ZZ	42	9				
	25	25	101.33	108	36	63	6905ZZ	42	9					
26	25	105.36	112	36	63	6905ZZ	42	9						
50	12	15	61.34	69	29	*50	25	8.7	6202ZZ	35	11			
	14	15	71.34	79	29	52			6202ZZ	35	11			
	15	20	76.35	84	34	57			6904ZZ	37	9			
	17	20	86.39	94	34	67			6904ZZ	37	9			
	18	25	91.42	100	41	72			6005ZZ	47	12			
	20	25	101.48	110	41	73			6005ZZ	47	12			
	24	30	121.62	130	48	73			6006ZZ	55	13			
	28	35	141.79	150	49	73			6907ZZ	55	10			
60	12	15	73.6	83	29	51	32	11.7	6202ZZ	35	11	-		
	14	20	85.61	95	40	62			6204ZZ	47	14	-		
	15	20	91.62	101	40	68			6204ZZ	47	14	-		
	17	25	103.67	113	45	73			6205ZZ	52	15	-		
	19	30	115.74	126	55	83			6206ZZ	62	16	-		
	20	30	121.78	132	55	83			6206ZZ	62	16	-		
	22	30	133.86	144	55	83			6206ZZ	62	16	-		
	25	35	151.99	162	60	83			6207ZZ	72	17	-		
	30	35	182.25	193	60	83			6207ZZ	72	17	-		

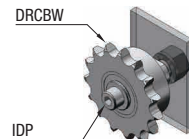
*Sprockets marked with * have grooves on hub O.D.

Ordering Example
Part Number - **Number of Teeth**
DRCBW50 - **20**
DRCSBW40 - **25**

ex Example
 Combination of these app. examples can be selected on our website.
 Details about Selection Procedure [P.87](#)

e-Catalog Search Keyword


* Enter the search keyword in the search box on e-Catalog. The search result will be shown in "Modular Assembler" area.



Idler Sprockets with Hub / Small Idlers

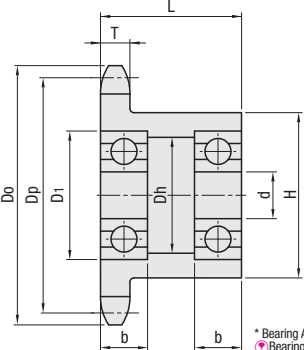
2040B, 2050B, 2060B Series

Features: The Idlers with bearings built-in on both sides of Double Pitch Sprockets



Type	Material		Surface Treatment
	Main Body	Bearing	
DRCBW	S45C Equivalent (Induction Hardened Teeth Tip)	Steel	Black Oxide

*For Cantilever Shafts, see [P.883-906](#).
 *For non-drive shaft side tension adjustments, please see Tensioner Unit on [P.1555](#).




* Bearing Accuracy: JIS B1514 Class 0
* Bearings are press-fit.

Part Number Type	Number of Teeth No.	d	Dp	Do	Dh	Hub		T	Bearing Dimensions			Unit Price				
						H	L		No.	D1	b					
DRCBW	2040	21	20	86.17	92	34	69	25	7.2	6904ZZ	37	9				
		23	25	94.15	100	36	77			6905ZZ	42	9				
		25	25	102.14	108	36	63			6905ZZ	42	9				
		19	25	97.78	105	41				6005ZZ	47	12				
		21	30	107.72	115	48	73			6006ZZ	55	13				
		25	30	127.67	135	48				6006ZZ	55	13				
	2050	19	30	117.34	126	55	83	40	11.7	11.7	6206ZZ	62	16			
			25	30	153.2	162	55	80			45	6206ZZ	62	16		

Ordering Example
Part Number - **Number of Teeth**
DRCBW2040 - **23**

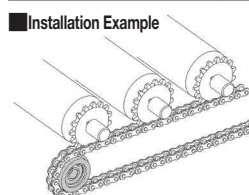
Small Idlers



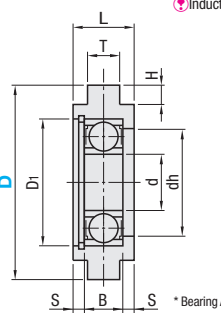
Type	Material		Surface Treatment	Hardness
	Main Body	Bearing		
SDRCH	S45C (Induction Hardened)	Steel	Black Oxide	55-60HRC Hardening on T Part Depth 1 ~ 2mm

*Induction Hardening on T part only

Installation Example



Is suitable for use in portions where the serrations of the current sprocket are the most likely to interfere with those of the other sprocket.



* Bearing Accuracy: JIS B1514 Class 0

Part Number Type	No.	D	d	L	T	dh	H	S	Bearing Dimensions			Retaining Ring	Unit Price
									No.	D1	B		
SDRCH	35	30	6	12	4.4	13	2.2	3	606ZZ	17	6	RTWN17	
		40	10	15		22		3.5	6000ZZ	26	8	RTWN26	
		50	12	16		26		3	6201ZZ	32	10	RTWN32	
	40	40	10	15	7.5	22	2.2	3.5	6000ZZ	26	8	RTWN26	
		50	12	16		26		3	6201ZZ	32	10	RTWN32	
		60	15	19		29		4	6202ZZ	35	11	RTWN35	
	50	50	10	19	9	22	2.7	5.5	6000ZZ	26	8	RTWN26	
		60	12	19		26		4.5	6201ZZ	32	10	RTWN32	
		70	15	19		29		4	6202ZZ	35	11	RTWN35	
	60	60	12	23	11.8	26	3.5	6.5	6201ZZ	32	10	RTWN32	
		70	15	23		29		6	6202ZZ	35	11	RTWN35	

Ordering Example
Part Number - **D**
SDRCH40 - **60**