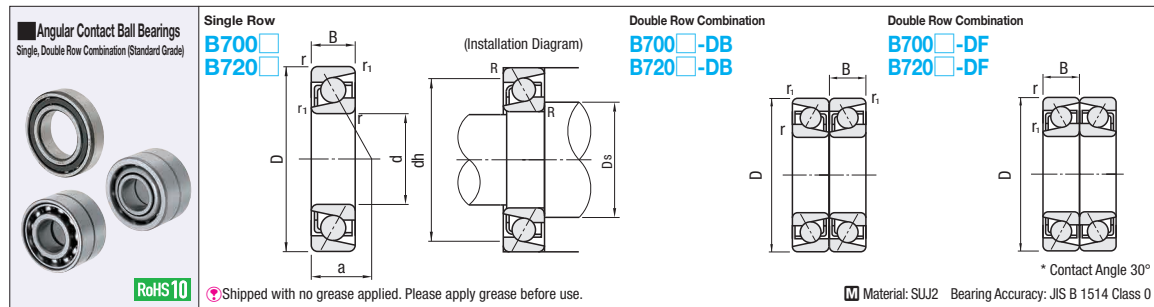


Angular Contact Ball Bearings

Single, Double Row Combination (Standard Grade)



Part Number	d	D	B	r (min)	r1 (min)	Basic Load Rating		Allowable Rotational Speed rpm (Reference)	Pressure Cone Apex a	Relative Dimensions			Mass (g) (Reference)	Unit Price
						Cr (Dynamic) kN	Cor (Static) kN			Ds (min.)	dh (max.)	R (max.)		
B7000	10	26	8	0.3	0.15	5.35	2.6	23200	9.2	12.5	23.5	0.3	23	
B7200	10	30	9	0.6	0.3	5.4	2.71	22400	10.3	15	25	0.6	29	
B7001	12	28	8	0.3	0.15	5.8	2.98	20800	9.8	14.5	25.5	0.3	25	
B7201	12	32	10	0.6	0.3	8	4.05	20000	11.4	17	27	0.6	37	
B7002	15	9	0.3	0.15	6.1	3.45	18400	11.3	17.5	29.5	0.3	35		
B7202	15	11	0.6	0.3	8.65	4.65	17600	12.7	20	30	0.6	46		
B7003	17	10	0.3	0.15	6.4	3.8	16800	12.5	19.5	32.5	0.3	46		
B7203	17	40	12	0.6	0.3	10.8	6	15200	14.2	22	35	0.6	67	
B7004	20	42	12	0.6	0.3	10.8	6.6	14400	14.9	25	37	0.6	80	
B7204	20	14	1	0.6	14.5	8.3	13600	16.7	26	41	1.0	109		
B7005	25	12	0.6	0.3	11.3	7.4	12800	16.4	30	42	0.6	93		
B7205	25	52	15	0.6	16.2	10.3	11200	18.6	31	46	1.0	130		
B7006	30	55	13	1	14.5	10.1	10400	18.8	36	49	1.0	135		
B7206	30	62	16	1	22.5	14.8	9600	21.3	36	56	1.0	197		
B7207	35	72	17	1.1	29.7	20.1	8000	23.9	42	65	1.0	287		
B7208	40	80	18	1.1	35.5	25.1	7600	26.3	47	73	1.0	375		
B7209	45	85	19	1.1	39.5	28.7	6800	28.3	52	78	1.0	411		
B7210	50	90	20	1.1	41.5	31.5	6320	30.2	57	83	1.0	466		

For details on the tolerance and allowable values of inner and outer rings, see P.2243. *kgf=Nx0.101972

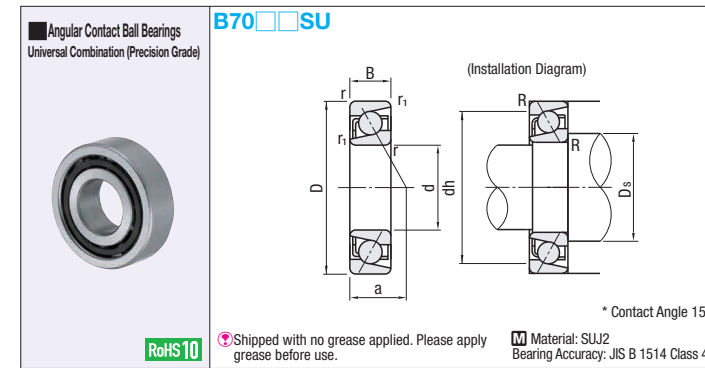
Part Number	d	D	B	r (min)	r1 (min)	Basic Load Rating		Allowable Rotational Speed rpm (Reference)	Pressure Cone Apex a		Relative Dimensions						Mass (g) (Reference)	Unit Price	
						Cr (Dynamic) kN	Cor (Static) kN		DB	DF	Ds (min.)	dh (max.)	R (max.)	Ds (min.)	dh (max.)	R (max.)		DB (Back)	DF (Front)
B7000	10	26	8	0.3	0.15	8.75	5.2	18400	18.4	2.4	12.5	24.8	0.3	11.2	23.5	0.15	46		
B7200	10	30	9	0.6	0.3	8.8	5.4	17600	20.5	2.5	15	27.5	0.6	12.5	25	0.3	58		
B7001	12	28	8	0.3	0.15	9.4	5.95	16800	19.5	3.5	14.5	26.8	0.3	13.2	25.5	0.15	50		
B7201	12	32	10	0.6	0.3	13	8.05	16000	22.7	2.7	17	29.5	0.6	14.5	27	0.3	74		
B7002	15	9	0.3	0.15	9.95	6.85	14400	22.6	4.6	17.5	30.8	0.3	16.2	29.5	0.15	70			
B7202	15	11	0.6	0.3	14	9.3	13600	25.4	3.4	20	32.5	0.6	17.5	30	0.3	92			
B7003	17	10	0.3	0.15	10.4	7.65	13600	25	5	19.5	33.8	0.3	18.2	32.5	0.15	92			
B7203	17	40	12	0.6	0.3	17.6	12	12000	28.5	4.5	22	37.5	0.6	19.5	35	0.3	134		
B7004	20	42	12	0.6	0.3	17.6	13.2	12000	29.9	5.9	25	39.5	0.6	22.5	37	0.3	160		
B7204	20	14	1	0.6	23.5	16.6	10400	33.3	5.3	26	42	1	25	41	0.6	218			
B7005	25	12	0.6	0.3	18.3	14.8	9600	32.8	8.8	30	44.5	0.6	27.5	42	0.3	186			
B7205	25	52	15	0.6	26.3	20.5	8800	37.2	7.2	31	47	0.6	30	46	0.6	260			
B7006	30	55	13	1	23.6	20.2	8800	37.5	11.5	36	50	0.6	35	49	0.6	270			
B7206	30	62	16	1	36.5	29.5	7840	42.6	10.6	36	57	0.6	35	56	0.6	394			
B7207	35	72	17	1.1	48.5	40	6800	47.9	-	42	67	1	-	-	-	574			
B7208	40	80	18	1.1	57.5	50.5	6000	52.6	-	47	75	1	-	-	-	750			
B7209	45	85	19	1.1	64.5	57.5	5520	56.5	-	52	80	1	-	-	-	822			
B7210	50	90	20	1.1	67	63	5040	60.4	-	57	85	1	-	-	-	932			

*kgf=Nx0.101972

Ordering Example: Part Number (Single Row) B7000 - (Double Row Combination) B7004 - DB

Angular Contact Ball Bearings / Grease Seal Rings

Universal Combination (Precision Grade)



Part Number	d	D	B	r (min)	r1 (min)	Basic Load Rating		Allowable Rotational Speed rpm (Reference)	Pressure Cone Apex a	Relative Dimensions			Mass (g) (Reference)	Unit Price
						Cr (Dynamic) kN	Cor (Static) kN			Ds (min.)	dh (max.)	R (max.)		
B7000SU	10	26	8	0.3	0.15	5.30	2.49	63900	6.4	12.5	23.5	19		
B7001SU	12	28	8	0.3	0.15	5.80	2.90	57500	6.7	14.5	25.5	21		
B7002SU	15	32	9	0.3	0.15	6.25	3.40	49000	7.6	17.5	29.5	30		
B7003SU	17	35	10	0.3	0.15	6.60	3.80	44300	8.5	19.5	32.5	39		
B7004SU	20	42	12	0.6	0.3	11.10	6.55	37100	10.1	25	37	67		
B7005SU	25	47	12	0.6	0.3	11.70	7.40	32000	10.8	30	42	78		
B7006SU	30	55	13	1.0	0.6	15.10	10.30	27100	12.2	36	49	114		
B7007SU	35	62	14	1.0	0.6	19.10	13.70	23800	13.5	41	56	151		
B7008SU	40	68	15	1.0	0.6	20.60	15.90	21300	14.7	46	62	189		
B7009SU	45	75	16	1.0	0.6	24.40	19.30	19200	16.0	51	69	238		
B7010SU	50	80	16	1.0	0.6	26.00	21.90	17700	16.7	56	74	259		

Ordering Example: Part Number B7001SU

Features: The width differences of front and back sides are controlled so that designated preload can be obtained no matter how the same model bearings are combined. Outer ring is marked with a V mark to help obtain correct combination.

Preload Clearance: 2f

DB Combination: Back side width difference x2=2b (-2f), and the designed preload is obtained.

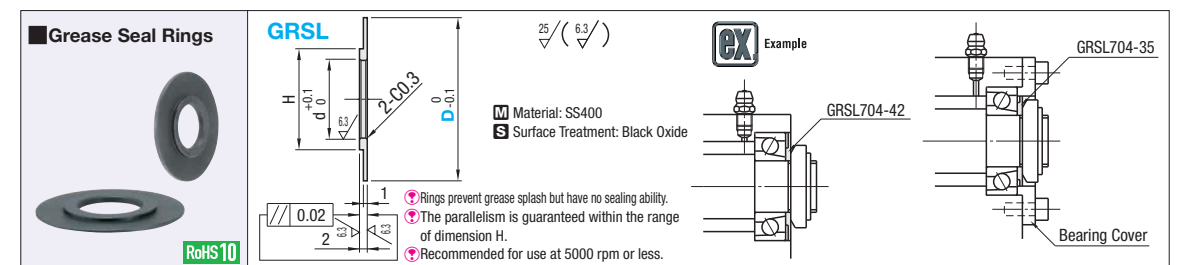
DF Combination: Front side width difference x2=2f (-2b), and the designed preload is obtained.

DT Combination: Because of front side width difference f= back side difference b, DT clearance does not occur similar with the normal DT combination.

Sold in pieces. When using multiple row combination, it is recommended to match I.D. and O.D.

Inner Ring I.D. Variation	Unit	μm
Bearing Inner Width	P4	over / or less / over / under
10	30	0
26	62	0

Outer Ring O.D. Variation	Unit	μm
Bearing Inner Width	P4	over / or less / over / under
26	62	0
62	125	-7



Part Number Type	No.	D	d	H	Applicable Angular Contact Bearings	Unit Price
700	26	13	10	13	B7000	
720	30	10	10	10	B7200	
701	28	15	12	15	B7001	
721	32	12	12	12	B7201	
702	35	15	15	15	B7002	
722	30	15	15	15	B7202	
703	35	17	17	17	B7003	

Part Number Type	No.	D	d	H	Applicable Angular Contact Bearings	Unit Price
723	40	17	17	17	B7203	
704	42	20	20	20	B7004	
724	47	20	20	20	B7204	
705	47	25	25	25	B7005	
725	52	25	25	25	B7205	
706	55	30	30	30	B7006	
726	62	30	30	30	B7206	

Ordering Example: Part Number GRSL720 - D 25