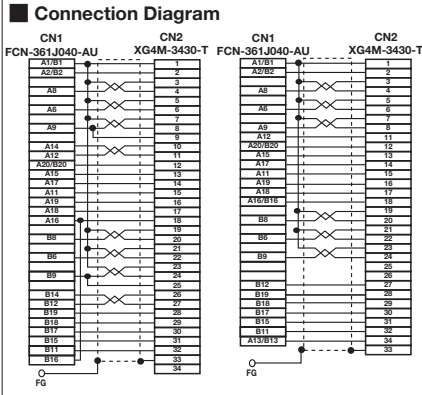
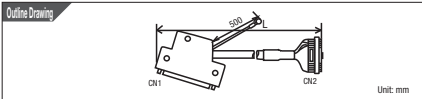


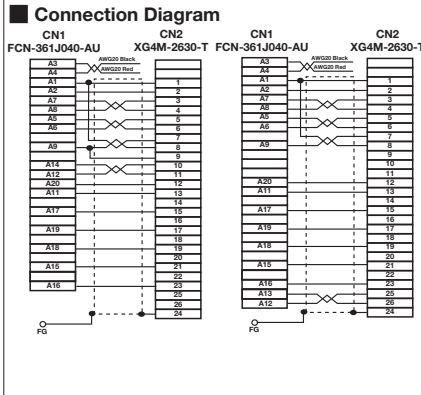
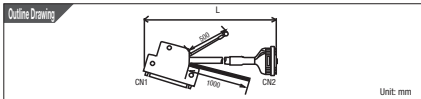
Connector Conversion / Branch Cable

▼ Mitsubishi / Omron Supported Cable Connection Diagram Product Page 587 ~ 590

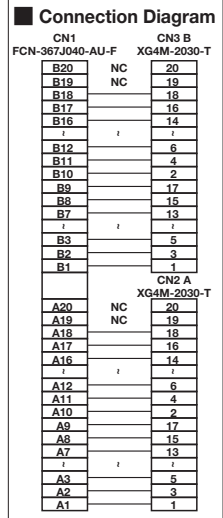
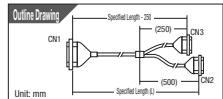
FML40I-A/FML40J-A



FML40K-A / FML40L-A

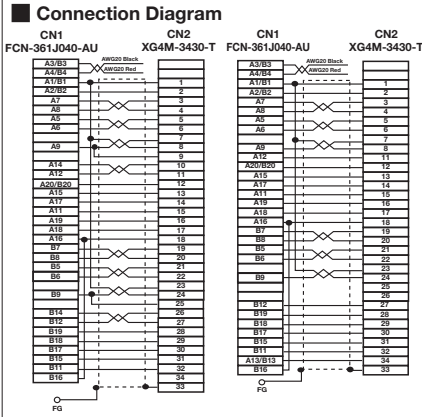
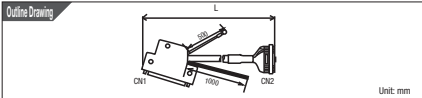


FM42A-A

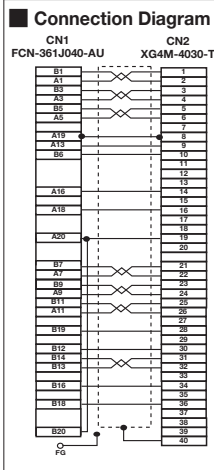
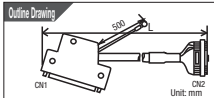


Connector Included Cable Documents

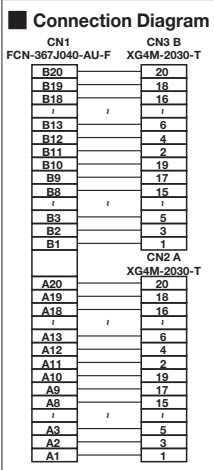
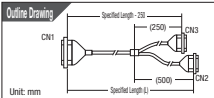
FML40M-A / FML40N-A



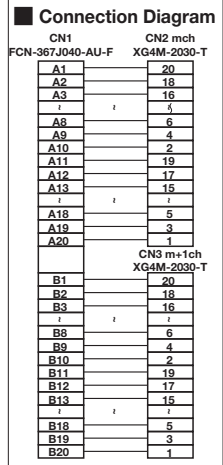
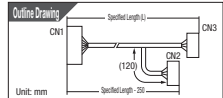
FML40Q-A



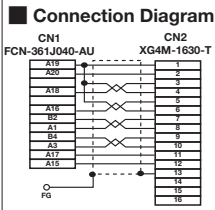
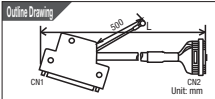
FM42B-A



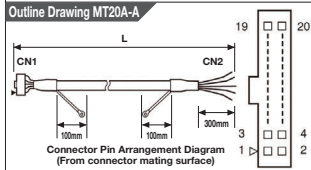
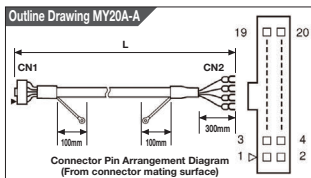
FM42C-A



FML40P-A



Common for MY20A-A / MT20A-A



Connection Diagram

CN1 MIL20-core Pin No.	Pair No.	Cable Color	Line Color	CN2 Y Terminal Mark Tube Pin No.
2	1 Pair	Orange/Light Green	Black/1	20
3		Orange/Light Green	Red/1	10
4	2 Pairs	Yellow	Black/1	19
5		Yellow	Red/1	9
6	3 Pairs	Light Green	Black/1	18
7		Light Green	Red/1	8
8	4 Pairs	Gray	Black/1	17
9		Gray	Red/1	7
10	5 Pairs	White	Black/1	16
11		White	Red/1	6
12	6 Pairs	Orange/Light Green	Black/2	15
13		Orange/Light Green	Red/2	5
14	7 Pairs	Yellow	Black/2	14
15		Yellow	Red/2	4
16	8 Pairs	Light Green	Black/2	13
17		Light Green	Red/2	3
18	9 Pairs	Gray	Black/2	12
19		Gray	Red/2	2
20	10 Pairs	White	Black/2	11
		White	Red/2	1