

E-HOLDER GUIDE POST SETS

-MOVABLE STOPPER · RESIN TYPE WITH DOWEL HOLE-



E-MYJP

(Movable Stopper · Resin type with dowel hole)

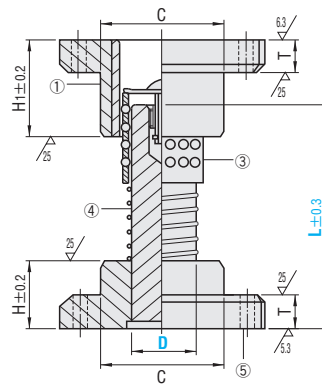
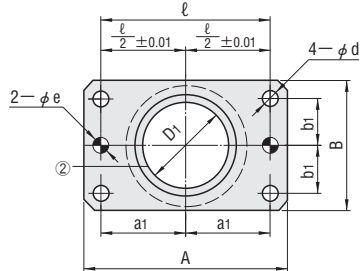


Accessories: Socket head cap screws × 8Pcs
Dowel pins × 4Pcs

- ①⑤ M FG260
- ② M 20mncr5
- ③ H 60-62HRC
- ③ M POM (Polyacetal Resin)
- ④ M EN-31
- ④ H 60-63HRC (Induction hardening)

E-MYJP

(Movable Stopper · Resin type with dowel hole)



D	D ₁	A	B	C	d	H	H ₁	T	ℓ	a ₁	b ₁	e
25	31	84	48	46	9	30	50	20	66	33	15	+0.010 -0.005
32	40	100	58	56	11	40	60	20	76	38	18	
38	46	130	75	73	11	50	70	25	100	50	22	
50	58	155	90	87	14	65	90	25	125	62.5	30	

Catalog No.		L															
Type	D	90	100	110	120	130	140	150	160	170	180	200	220	240	260	300	350
E-MYJP	25																
	32																
	38																
	50																



Order

Catalog No. — L
E-MYJP32 — 180

Alteration	Code	Spec.
Including Dowel and Bolt	SET	Bolt-8 Pcs Dowel-4 Pcs



Alterations

Catalog No. — L — SET
E-MYJP32 — 180 — SET



Days to Ship

Quotation



Price

Quotation

- ⚠ Perpendicularity of guide holder bottom and guide post: 0.02/100mm
- ⚠ Bush/Holder flatness is 0.02mm