

PLAIN GUIDE POST SETS

-WITH DOWEL HOLE · OIL TYPE / OIL-FREE TYPE-



E—MYP
(With dowel hole · Oil type)



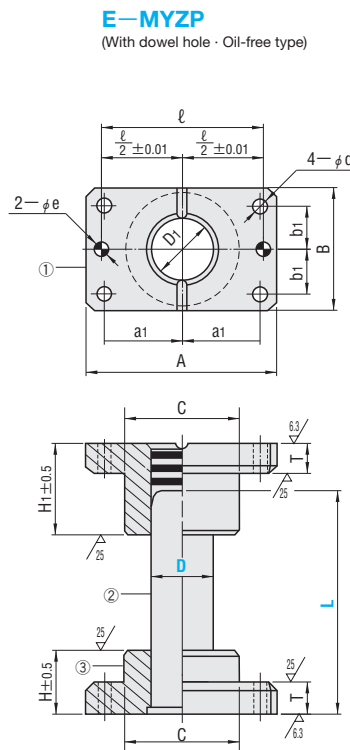
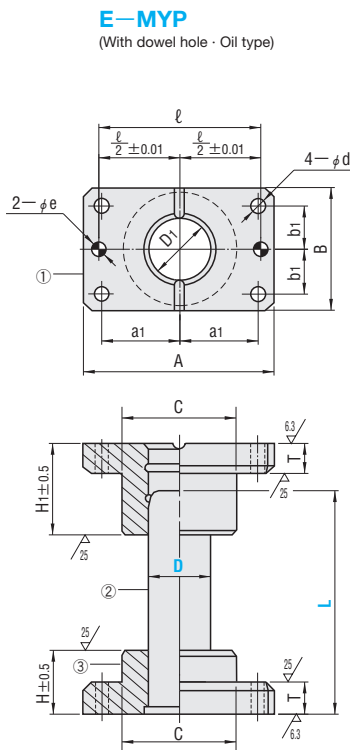
E—MYZP
(With dowel hole · Oil-free type)



Accessories: Socket head cap screws × 8Pcs
Dowel pins × 4Pcs

E—MYP and E—MYZP

- ① M FC250
- ② M S45C
- ③ H 55HRC- (Induction hardening)
- ③ M FC250
Special solid lubricant (embedded)



D	D ₁	A	B	C	d	H	H ₁	T	ℓ	a ₁	b ₁	e	
25	25	84	48	46	9	30	45	20	66	33	15	8	+0.010 -0.005
32	32	100	58	56	11	40	50	20	76	38	18	8	
38	38	130	75	73	11	50	60	25	100	50	22	10	
50	50	155	90	87	14	65	85	25	125	62.5	30	10	
60	60	190	120	116	18	75	100	30	150	75	40	13	

Catalog No.		L												
Type	D													
E—MYP E—MYZP	25	80	90	100	110	120	130	140	150	160	170	180	200	
	32	90	100	110	120	130	140	150	160	170	180	200	220	250
	38	110	120	130	140	150	160	170	180	200	220	250	280	300
	50	160	170	180	200	220	250	280	300	350				
	60	180	200	220	250	280	300							



Order

Catalog No.	—	L
E—MYP38	—	220
E—MYZP38	—	220

Alteration	Code	Spec.
Including Dowel and Bolt	SET	Bolt-8 Pcs Dowel-4 Pcs



Alterations

Catalog No.	—	L	—	SET
E—MYP38	—	220	—	SET
E—MYZP38	—	220	—	SET



Days to Ship

Quotation



Price

Quotation

- ⚠ Perpendicularity of guide holder bottom and guide post: 0.035mm/100mm or less
- ⚠ Bush/Holder flatness is 0.05mm

MISUMI contact

Tel: 124-468-8800
Email: cs@misumi.co.in
(9:00AM to 5:30PM Monday to Saturday)

MISUMI WEB "Chat"



WhatsApp Business



Save 72900 09079
Contact on WhatsApp