

# BALL GUIDE POST SETS

-MOVABLE STOPPER · ALUMINUM TYPE WITH DOWEL HOLE-



## E-MYAP

(Movable Stopper · Aluminum type with dowel hole)

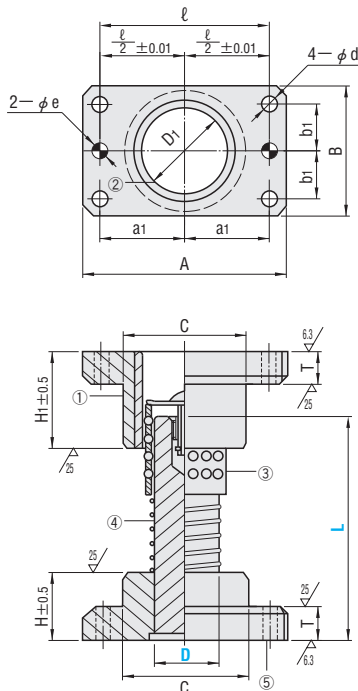


Accessories: Socket head cap screws × 8Pcs  
Dowel pins × 4Pcs

- ① M FC250
- ② M EN-31
- ③ H 58HRC-
- ④ M A6063
- ⑤ M S45C
- H 58HRC-  
(Induction hardening)

## E-MYAP

(Movable Stopper · Aluminum type with dowel hole)



D	D <sub>1</sub>	A	B	C	d	H	H <sub>1</sub>	T	ℓ	a <sub>1</sub>	b <sub>1</sub>	e			
25	+0.020 +0.000	31	+0.020 +0.000	84	48	46	9	30	50	20	66	33	15	8	+0.010 -0.005
32		40		100	58	56	11	40	60	20	76	38	18	8	
38		46		130	75	73	11	50	70	25	100	50	22	10	
50		58		155	90	87	14	65	90	25	125	62.5	30	10	

Catalog No.		L														
Type	D															
E-MYAP	25	90	100	110	120	130	140	150	160	170	180	200				
	32			110	120	130	140	150	160	170	180	200	220	240	260	
	38				130	140	150	160	170	180	200	220	240	260	300	
	50							170	180	200	220	240	260	300	350	



Order

Catalog No. — L  
E-MYAP32 — 180



Alterations

Catalog No. — L — SET  
E-MYAP32 — 180 — SET



Days to Ship

**Quotation**



Price

**Quotation**

Alteration	Code	Spec.
Including Dowel and Bolt	SET	Bolt-8 Pcs Dowel-4 Pcs

- ⊙ Perpendicularity of guide holder bottom and guide post: 0.035mm/100mm or less
- ⊙ Bush/Holder flatness is 0.05mm